

Mi'kmaq Office Furniture

Humanscale Seating Price List
Supply Arrangement # E60PQ-120001/060/PQ

General Inquiries:

Terry Hickey

1-877-933-8566 ext. 3

info@mikmaqofficefurniture.ca

Website: www.mikmaqofficefurniture.ca

Supplier's Official Language: English

Payment by Visa or Mastercard: Accepted

Supplier's Work Coverage: National

Building Your Product Code Using This Price Guide



W 1 6 W M 14 CF 57 - - - -

Monofilament Stripe Mesh in Platinum chosen from page 46

Corde 4 Textile in Navy chosen from page 44

COMPONENT	CODE	BASE MODEL PRICE	\$1,220
LINE	W	Diffrient World Chair	-
STYLE	1	Conference/Task Chair	-
ARMRESTS	0	Armless	-
	6	Fixed Duron Arms	\$123
	7	Fixed Duron Arms with Matching Textile- Available with textile covered seat only	\$161
	1	Height Adjustable Duron Arms	\$262
	2	Height Adjustable Duron Arms with Matching Textile- Available with textile covered seat only	\$302
FRAME COLOR	B	Black	-
	W	White	\$31
	V	Gray	-
BACKREST MESH STYLE	○	See page 43 and textile Samples for mesh color options and codes	-
BACKREST MESH COLOR	○	See page 43 and textile Samples for mesh color options and codes	-
SEAT MESH/ TEXTILE STYLE	○	Mesh (A,N,J)	-
	○	Textile Grade 1 (FT,K,CF)	\$110
	○	Textile Grade 2 (F)	\$173
SEAT MESH/ TEXTILE COLOR	○	See pages 41-43 and textile samples for mesh color options and codes	-
CYLINDER	○	Standard 5"	-
	A	3" Return to Height Cylinder	\$66
	E	5" Return to Height Cylinder	\$66
	L	Low 3.75"	\$40
	W	High 8" Cylinder w/ 20" Foot Ring	\$194
	Y	Extra-high 10" Cylinder w/ 20" Foot Ring	\$194
CASTERS/GLIDES	-	Standard Hard Casters	-
	S	Soft Casters	\$26
	G	Glides	\$33
FIREPROOFING	-	Standard Plastics and Foams	-
	C	CAL133 Label Applied to Underside of Chair	-
BASE	-	Standard	-
	A	Polished Aluminum Base	\$215
SHIPPING	-	Individually Boxed	○
	B	Blanket Wrapped- See Terms and Conditions for minimum order requirements	○

Total: **\$1,484**

Humanscale®

CANADIAN QUICK SHIP GUIDE

🇨🇦 Pricing Effective September 2022



**function
simplicity
longevity**

QUICK SHIP PROGRAM





Humanscale offers a Quick Ship program across our key product categories to provide you and your customers faster lead times on specific model configurations. Please refer to the product page headers in the guide for the lead times available for each category. Aforementioned lead time is honored once order has been confirmed.

Quick Ship lead times are as stated for each product category once the order has been booked. Please allow for 24-48 hour order processing time prior to being booked, as well as delivery transit time from factory. Always refer to your order acknowledgment for the estimated ship date assigned to each order. Please contact your local Humanscale representative for project pricing and demos.



With an innovative recline mechanism that provides constant support and a pivoting backrest that automatically adjusts to the needs of the spine, the Freedom chair delivers exceptional comfort and promotes movement throughout the day. Its refined and sculpted cushions were designed to mimic the body’s natural contours and decrease pressure point loads for premium comfort. Like all Humanscale chairs, the Freedom chair was designed to look and function like new after years of consistent use.

Freedom

<p>Freedom Task Chair with Headrest, Corde 4 Black: LIST \$2,124</p> <ul style="list-style-type: none"> • G Graphite • Color: Black • Textile: Corde 4 • Height Adjustable Duron arms • Foam seat pan • Standard hard casters • 5" cylinder  <p>F211GCF10.Q</p>	<p>Freedom Task Chair, Corde 4 Black: LIST \$1,806</p> <ul style="list-style-type: none"> • G Graphite • Color: Black • Textile: Corde 4 • Height Adjustable Duron arms • Foam seat pan • Standard hard casters • 5" cylinder  <p>F111GCF10.Q</p>	<p>Freedom Task Chair, Fourtis Black: LIST \$1,806</p> <ul style="list-style-type: none"> • G Graphite • Color: Black • Textile: Fourtis • Height Adjustable Duron arms • Foam seat pan • Standard hard casters • 5" cylinder  <p>F111GFT10.Q</p>	<p>Freedom Task Chair, Fourtis Granite: LIST \$1,806</p> <ul style="list-style-type: none"> • G Graphite • Color: Granite • Textile: Fourtis • Height Adjustable Duron arms • Foam seat pan • Standard hard casters • 5" cylinder  <p>F111GFT12.Q</p>
---	---	--	---

*Availability based on volume/quantity ordered.



The Liberty Task chair is an intelligent mesh back task chair engineered to provide automatic lumbar support for every user, as well offering simplicity and complete ease of use. Liberty was designed to offer a unique, minimal aesthetic and to provide custom comfort for every person who sits in it. Liberty uses Humanscale’s revolutionary Form-Sensing Mesh Technology and mechanism-free recline for perfect support and unprecedented comfort.

Liberty

Liberty Task Chair, Monofilament Stripe Black Backrest, Corde 4 Black Seat:
LIST **\$1,797**

- Backrest Textile/Color: Monofilament Stripe, Black
- Seat Textile/Color: Corde 4, Black
- Height Adjustable Duron Arms
- Black frame with black trim
- Foam seat pan
- Standard hard casters
- 5" cylinder



L111BM10CF10.Q

Liberty Task Chair, Monofilament Stripe Black Backrest, Fourtis Black Seat:
LIST **\$1,797**

- Backrest Textile/Color: Monofilament Stripe, Black
- Seat Textile/Color: Fourtis 4, Black
- Height Adjustable Duron Arms
- Black frame with black trim
- Foam seat pan
- Standard hard casters
- 5" cylinder



L111BM10FT10.Q

Liberty Side Chair, Monofilament Stripe Black Backrest, Monofilament Stripe Black Seat:
LIST **\$913**

- Backrest Textile/Color: Monofilament Stripe, Black
- Seat Textile/Color: Monofilament Stripe, Black
- Fixed Duron Arms
- Black frame with black trim



L406BM10M10 **

The Diffrient Smart chair is an intelligent mesh back task chair with a striking linear aesthetic that complements any environment. Engineered to provide automatic lumbar support for every user, as well as simplicity and ease of use, Diffrient Smart offers comfort, style and flexibility. Diffrient Smart was created by designer Niels Diffrient and uses Humanscale’s revolutionary Form-Sensing Mesh Technology and mechanism-free recline for perfect support for every user.

Smart

Diffrient Smart Chair,
Monofilament Stripe Black Back,
Corde 4 Black Seat:
LIST **\$1,982**

- Backrest Textile/Color:
Monofilament Stripe, Black
- Seat Textile/Color:
Corde 4, Black
- Adjustable Duron Arms
- Black frame with black trim
- Foam seat pan
- Standard hard casters
- 5" cylinder



S413BM10CF10.Q

Diffrient Smart Chair,
Monofilament Stripe Black Back,
Courtis Black Seat:
LIST **\$1,982**

- Backrest Textile/Color:
Monofilament Stripe, Black
- Seat Textile/Color:
Courtis, Black
- Adjustable Duron Arms
- Black frame with black trim
- Foam seat pan
- Standard hard casters
- 5" cylinder



S413BM10FT10.Q

Diffrient Smart Chair,
Pinstripe Black Back,
Corde 4 Black Seat:
LIST **\$2,139**

- Backrest Textile/Color:
Pinstripe, Black
- Seat Textile/Color:
Corde 4, Black
- Adjustable Duron Arms
- Dark gray frame with aluminum trim
- Foam seat pan
- Standard hard casters
- 5" cylinder



S413DN10CF10.Q

Diffrient World is Humanscale's first foray into all-mesh task seating. Designer Niels Diffrient wanted to create the most minimal, full-function task chair ever made. With an innovative tri-panel mesh backrest that provides custom back and lumbar support and a lightweight design, Diffrient World is, like all of Humanscale's products, simple, beautiful and functional. The design eliminates the need for traditional mechanisms, instead using the laws of physics and the sitter's body weight to offer perfect recline for each individual sitter. Diffrient World offers the ultimate user-friendly sitting experience.

World

Diffrient World Chair, Pinstripe Black Back, Pinstripe Black Seat
LIST **\$1,556**

- Backrest Textile/Color: Pinstripe, Black
- Seat Textile/Color: Pinstripe, Black
- Height Adjustable Duron Arms
- Black frame with black trim
- Foam seat pan
- Standard hard casters
- 5" cylinder



W11BN10N10.Q

Diffrient World Chair, Catena Black Back, Catena Black Seat
LIST **\$1,556**

- Backrest Textile/Color: Catena, Black
- Seat Textile/Color: Catena, Black
- Height Adjustable Duron Arms
- Black frame with black trim
- Foam seat pan
- Standard hard casters
- 5" cylinder



W11BJ10J10

Diffrient World Chair, Monofilament Stripe Black Back, Corde 4 Black Seat
LIST **\$1,672**

- Backrest Textile/Color: Monofilament Stripe Black
- Seat Textile/Color: Corde 4 Black
- Height Adjustable Duron Arms
- Black frame with black trim
- Foam seat pan
- Standard hard casters
- 5" cylinder



W11BM10CF10.Q



FREEDOM

With Freedom, the knobs, levers and locks of current-generation task chairs have been replaced by intelligent mechanisms that automatically support the body as it moves from task to task. By minimizing the need for manual controls, Freedom maximizes natural, spontaneous movement, which is essential for a healthy body and a comfortable day's work. Freedom's many features can be enjoyed with virtually no effort.



FREEDOM Features & Characteristics



DYNAMIC HEADREST

- Position-sensitive headrest moves into place when you recline and out of the way when you sit upright
- 5" vertical adjustment to fit all users
- Moves in the natural arc of head/neck for perfect support through range of recline
- Contoured to cradle the head and neck in comfort

SELF-ADJUSTING RECLINE

- Intelligent counter-balance recline mechanism automatically provides the right amount of support through the full range of recline motion, regardless of user size and weight
- No tension springs to adjust
- No recline locks to set / release
- During recline, the angle between torso and legs opens up for better body function
- User maintains near-constant eye level during recline

PIVOTING BACKREST

- Extra motion of the backrest during recline automatically adjusts to the changing needs of the spine
- Provides up to 1" additional lumbar support when needed

SYNCHRONOUS ARMRESTS

- Revolutionary armrests move in tandem to eliminate uneven arm positioning
- Natural lift and release action for immediate repositioning without buttons or locks
- 6" range of vertical motion to accommodate all users and tasks
- Can be positioned below thigh level for close to table or desk work
- Attached to backrest so arms stay in same relation to body during recline
- Duron arm pad for durability and comfort

CUSHIONS

- Carefully sculpted to match body contours
- Increased contact area reduces pressure points
- Modular for easy replacement
- Molded polyurethane foam cushions
- Optional arm pads and seat have top layer of Technogel®
- Upholstered with a variety of materials customized to the unique form of the cushion

GEL SEAT CUSHION

- Non-degradable, non-compressible Technogel® layer on top of foam core
- Provides maximum pressure distribution
- Offers unmatched, long-term comfort

CYLINDER OPTIONS

- Provides seat height range that accommodates 95% of the population
- Low cylinder for small users
- Tall cylinder for very tall users
- High cylinder with foot ring
- Extra-high cylinder with foot ring (Saddle seat only)

External Frame and OPTIONAL Base UPGRADE

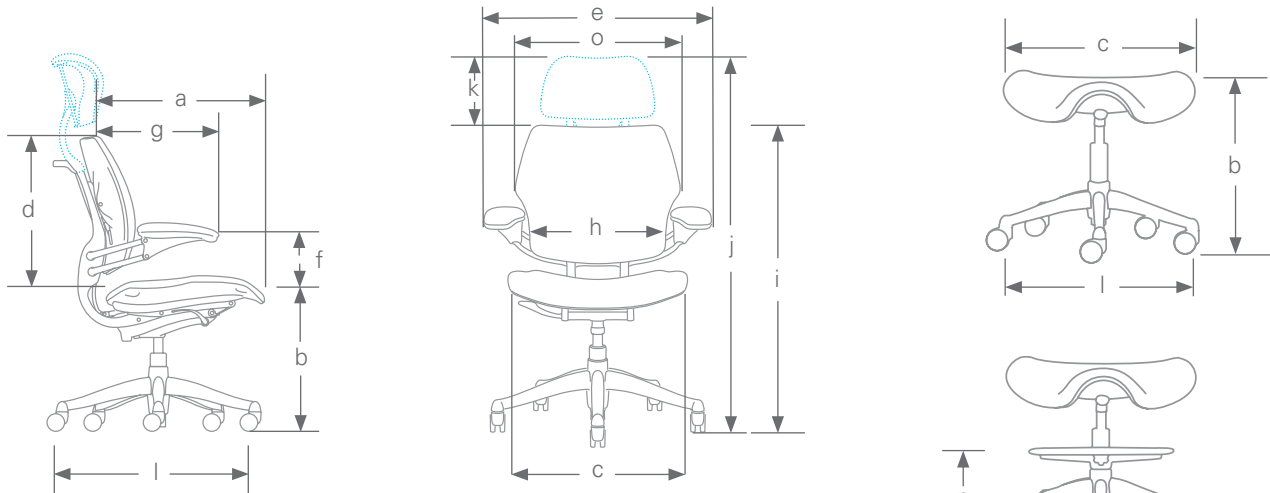
- Die-cast aluminum with fused plastic coating or polished aluminum finish

CASTER OPTIONS

- 2.5" soft double-wheel casters for hard floors
- Non-rolling glides for fixed-location use
- 2.5" locking casters



FREEDOM Specifications



CODE	DESCRIPTION	MEASUREMENT																
a	Seat Depth (from face of lumbar to front of seat)	17.40" - 19.85"																
b	Seat Height (floor to compressed front center of seat cushion)	<table border="0"> <tr> <td rowspan="4">Headrest and Task</td> <td>16.125" - 20.25" standard cylinder chair</td> </tr> <tr> <td>17" - 22.35" tall-cylinder chair</td> </tr> <tr> <td>20.25" - 27.75" high-cylinder chair</td> </tr> <tr> <td>17.5" - 22.25" return to height cylinder chair</td> </tr> <tr> <td rowspan="3">Saddle / Pony</td> <td>17.3" - 22.1" standard cylinder stool</td> </tr> <tr> <td>18.2" - 23.2" tall-cylinder stool</td> </tr> <tr> <td>19.9" - 27.5" high cylinder stool</td> </tr> <tr> <td rowspan="2">Active Pony</td> <td>22.4" - 32.5" extra-high cylinder with glides</td> </tr> <tr> <td>20.5" - 24.91" standard cylinder stool</td> </tr> <tr> <td></td> <td>21.91" - 27.11" tall cylinder stool</td> </tr> <tr> <td></td> <td>24.94" - 32.90" high cylinder stool</td> </tr> </table>	Headrest and Task	16.125" - 20.25" standard cylinder chair	17" - 22.35" tall-cylinder chair	20.25" - 27.75" high-cylinder chair	17.5" - 22.25" return to height cylinder chair	Saddle / Pony	17.3" - 22.1" standard cylinder stool	18.2" - 23.2" tall-cylinder stool	19.9" - 27.5" high cylinder stool	Active Pony	22.4" - 32.5" extra-high cylinder with glides	20.5" - 24.91" standard cylinder stool		21.91" - 27.11" tall cylinder stool		24.94" - 32.90" high cylinder stool
Headrest and Task	16.125" - 20.25" standard cylinder chair																	
	17" - 22.35" tall-cylinder chair																	
	20.25" - 27.75" high-cylinder chair																	
	17.5" - 22.25" return to height cylinder chair																	
Saddle / Pony	17.3" - 22.1" standard cylinder stool																	
	18.2" - 23.2" tall-cylinder stool																	
	19.9" - 27.5" high cylinder stool																	
Active Pony	22.4" - 32.5" extra-high cylinder with glides																	
	20.5" - 24.91" standard cylinder stool																	
	21.91" - 27.11" tall cylinder stool																	
	24.94" - 32.90" high cylinder stool																	
c	Seat Width	21" Chair 22" Saddle seat 16" Pony Saddle and Active Pony seat																
d	Backrest Height (from seat cushion to top of backrest)	18" - 20.9" 3" in 0.25" increments																
e	Chair Width	26.75" with arms 21.1" without arms																
f	Armrest Height (compressed seat cushion to top of armrest)	3.75" - 9.6"																
g	Armrest Length (from face of lumbar to front of armrest)	8.8"																
h	Distance between armrests (front inside edge)	19" standard 18.25" - 21.25" advanced																
i	Height, Task Chair	34.625" - 41.775" standard cylinder 36.125" - 44.025" tall-cylinder 39.0" - 49.4" high-cylinder 35.25" - 40.775" 3" return to height cylinder 35.5" - 40.775" 5" return to height cylinder																
j	Height, Task Chair with Headrest	42.375" - 54.275" standard cylinder 43.875" - 56.525" tall-cylinder 46.75" - 61.9" high-cylinder 43.0" - 53.275" 3" return to height cylinder 43.0" - 53.275" 5" return to height cylinder																
k	Headrest Height Adjustment Range	5"																
l	Base Diameter	25" chair, high or extra-high Saddle / Pony 22" standard Saddle / Pony 26.8" standard Active Pony																
m	Foot Ring Diameter	20"																
n	Foot Ring Height Adjustment (from floor)	6" - 11"																
o	Backrest Width	21"																

SCOPE OF USERS
<ul style="list-style-type: none"> Standard chair fits more than 95% of the office population <ul style="list-style-type: none"> 5'0" Woman to 6'4" Man 100 to 400 lbs. Users outside the standard range can be accommodated by <ul style="list-style-type: none"> Low or Tall Cylinder Advanced Armrests
WEIGHT
<ul style="list-style-type: none"> 38 lbs. Headrest with arms 34 lbs. Headrest without arms 34 lbs. Task with arms 30 lbs. Task without arms 14 lbs. Saddle 20 lbs. Saddle with Foot Ring 14 lbs. Pony Saddle 18 lbs. Pony Saddle with Foot Ring 14 lbs. Active Pony
BACKREST RECLINE
<ul style="list-style-type: none"> 22° recline plus 7° backrest tilt
REFERENCE ANGLE BETWEEN SEAT AND BACK
<ul style="list-style-type: none"> 100° to 129°
HEADREST RADIAL MOTION
<ul style="list-style-type: none"> 30°



FREEDOM Build Your Product Code

			Freedom Task		Freedom Headrest	
			F11		F21	
COMPONENT	CODE	BASE MODEL PRICE	LIST \$1,612		LIST \$1,930	
ARMREST	0	Armless (Required option for Saddle/Pony)	—		—	
	1	Standard Duron Arms	\$161		\$161	
	2	Standard Duron Arms with Matching Textile	\$196		\$196	
	3	Advanced Duron Arms	\$290		\$290	
	4	Advanced Duron Arms with Matching Textile	\$328		\$328	
	X	Standard Duron Gel Arms	\$207		\$207	
	M	Standard Gel Arms with Matching Textile	\$245		\$245	
FRAME	G	Graphite	—		—	
	A	Polished Aluminum with Graphite <i>Comes standard with polished aluminum base</i>	\$365		\$398	
TEXTILE		Textile Grade 1 (FT,K,CF)	\$34		\$34	
		Textile Grade 2 (F)	\$124		\$138	
		Leather Grade 1 (TL)	\$1,050		\$1,206	
		Leather Grade 3 (CL)	\$2,170		\$2,750	
TEXTILE COLOR		See pages 39- 41 for color options				
LEATHER STITCHING*		If leather is selected, see page 36 for stitch options No leather selected	—		—	
GEL SEAT	-	Standard Foam Seat Pan	—		—	
	G	Gel Seat- <i>Not compatible with Lotus or with leather textiles</i>	\$120		\$120	
CYLINDER	-	Standard 5"	—		—	
	A	3" Return to Height Cylinder	\$69		\$69	
	E	5" Return to Height Cylinder	\$69		\$69	
	T	Tall 5"	\$61		\$60	
	W	High 8" w/20" Foot Ring	\$204		\$204	
CASTER TYPE	-	Standard Hard Casters	—		—	
	G	Glides	\$35		\$35	
	S	Soft Casters	\$35		\$35	
	K	Automatic Locking Casters	\$181		\$181	
FIRE PROOFING	-	Standard Foams and Plastics	—		—	
	C	CAL 133-Approved Foams and Plastics	\$93		\$120	
BASE UPGRADE <i>Standard Aluminum Base should be selected with A and M frame colors.</i>	-	Standard Composite Base to match Graphite or Titanium frame color	—		—	
	-	Standard Aluminum Base to match frame color	—		—	
	M	Powder-coated Aluminum Base to match Graphite frame color	\$79		\$79	
	A	Polished Aluminum Base on Graphite Frame	\$226		\$226	
SHIPPING	-	Individually Boxed	—		—	
	B	Blanket Wrapped <i>See Terms and Conditions for minimum order requirements</i>	—		—	



FREEDOM Build Your Product Code

			Freedom Saddle	Freedom Pony	Active Pony
			F30	F40	F50
COMPONENT	CODE	BASE MODEL PRICE	LIST \$509	LIST \$463	LIST \$609
ARMREST	0	Armless	—	—	—
FRAME	G	Graphite	—	—	—
	A	Polished Aluminum with Graphite <i>Comes standard with polished aluminum base</i>	\$211	\$211	N/A
TEXTILE		Textile Grade 1 (FT,K,CF)	\$18	\$18	\$18
		Textile Grade 2 (F)	\$64	\$64	\$64
		Leather Grade 1 (TL)	\$642	\$642	\$642
		Leather Grade 3 (CL)	\$1,036	\$1,036	\$1,036
TEXTILE COLOR		See pages 39- 41 for color options			
GEL SEAT	-	Standard Foam Seat Pan	—	—	—
CYLINDER	-	Standard 5"	—	—	—
	A	3" Return to Height Cylinder	\$69	\$69	N/A
	E	5" Return to Height Cylinder	\$69	\$69	N/A
	T	Tall 5"	\$60	\$60	\$60
	H	High 8"	\$60	\$60	\$60
	W	High 8" w/20" Foot Ring	\$202	\$202	N/A
	Y	Extra-High 10" w/20" Foot Ring <i>Only available with Glides or Locking Casters</i>	\$202	\$202	N/A
CASTERTYPE	-	Standard Hard Casters	—	—	N/A
	G	Glides	\$34	\$34	N/A
	S	Soft Casters	\$34	\$34	N/A
	K	Automatic Locking Casters	\$179	\$179	\$179
FIRE PROOFING	-	Standard Foams and Plastics	—	—	—
	C	CAL 133-Approved Foams and Plastics	\$53	\$53	N/A
BASE UPGRADE <i>Standard Aluminum Base should be selected with A and M frame colors.</i>	-	Standard Composite Base to match Graphite or Titanium frame color	—	—	—
	-	Standard Aluminum Base to match frame color	—	—	N/A
SHIPPING	-	Individually Boxed	—	—	—
	B	Blanket Wrapped <i>See Terms and Conditions for minimum order requirements</i>	—	—	—



FREEDOM Options & Prices

REPLACEMENT PARTS	Code	CAL133 Available	Price	Textile 1	Textile 2	Leather 1	Leather 3
-------------------	------	------------------	-------	-----------	-----------	-----------	-----------

Seat Cushions							
Seat (Foam)	S 12224F	C		\$202	\$245	\$882	\$1,338
Seat (Gel)	S 1222G	C		\$322	\$364	N/A	N/A
Back	B 12224F	C		\$202	\$245	\$882	\$1,338
Saddle Seat	L 1222	C		\$227	\$308	\$942	\$1,402
Pony Saddle	LP 1222	C		\$195	\$278	\$908	\$1,370
Headrest	H 1222F	C		\$181	\$194	\$381	\$608

Armrest Cushions							
Standard Duron Arm Pads	FA		\$75	N/A	N/A	N/A	N/A
Advanced Duron Arm Pads	FV		\$75	N/A	N/A	N/A	N/A
Standard Duron Gel Arm Pads	FX		\$124	N/A	N/A	N/A	N/A
Advanced Duron Gel Arm Pads	FD		\$124	N/A	N/A	N/A	N/A
Standard Duron Arm Pads with Matching Textile (Pair)	FAM 1222	C		\$105	\$138	\$188	\$301
Advanced Duron Arm Pads with Matching Textile (Pair)	FVM 1222	C		\$105	\$138	\$188	\$301
Standard Gel Arm Pads with Matching Textile (Pair)	FXM 1222	C		\$154	\$187	\$236	\$349
Advanced Gel Arm Pads with Matching Textile (Pair)	FDM 1222	C		\$154	\$187	\$236	\$349

RETROFIT PARTS	Code	CAL133 Available	Price	Textile 1	Textile 2	Leather 1	Leather 3
Advanced Duron Arms	KDA3		\$293	N/A	N/A	N/A	N/A
Advanced Duron Gel Arms	KA3		\$342	N/A	N/A	N/A	N/A
Advanced Duron Arms with Matching Textile	KDAM31222	C		\$326	\$342	\$397	\$526
Advanced Gel Arms with Matching Textile	KAM31222	C		\$373	\$389	\$445	\$574
Freedom Task Chair Coat Hanger Kit	FREEDOM TASK COAT HANG KIT		\$116				
Freedom Headrest Chair Coat Hanger Kit	FREEDOM HEADREST COAT HANG KIT		\$99				

Any code containing a number refers to the component or textile that must be selected to order the replacement or retrofit part.

1-Textile Code **2**- Cushion Color **3**- Frame/Cushion Shell Color (G=Graphite) **4**- Leather Stitch Color (page 42)





DIFFRIENT SMART

Ideal for any designed environment, Diffrient Smart features aesthetics that are as minimal visually as the chair is functional. And, with its signature weight-sensitive recline, body-fitting Form-Sensing Mesh Technology and unique tri-panel backrest, Diffrient Smart adapts to every user, every time.

Diffrient Smart is also available in the Plus version for a wider seat and with support for up to 400lbs.



DIFFRIENT SMART Features & Characteristics



BODY FIT

Size adjustable to fit more than 95% of the population

CUSHION PAN, BACK FRAME, FIVE-ARM BASE

Injection-molded, structural, integral color plastics

EXTERNAL FRAME

Die-cast aluminum with powder coating

FIREPROOFING

CAL 133-approved: optional fireproof barrier between textile and foam

SELF-ADJUSTING RECLINE

- Intelligent counter-balance recline mechanism automatically provides the right amount of support through the full range of recline motion, regardless of user size and weight
- No tension springs to adjust
- No recline locks to set/release
- During recline, the angle between torso and legs opens up for better body function
- User maintains near-constant eye level during recline

PIVOTING BACKREST

- Extra motion of the backrest during recline automatically adjusts to the changing needs of the spine
- Provides additional lumbar support as needed

FORM-SENSING MESH

- Tri-panel, non-stretch mesh construction creates body-fitting contours and self-adjusting lumbar support for a customized fit
- No external lumbar devices to adjust, break or lose
- Low-abrasion mesh protects clothing
- Modular for easy replacement

ARMREST OPTIONS

- Armless
- Fixed armrests
- Height-adjustable armrests with 5" range of adjustment
- 4D height-adjustable armrests with adjustable armpads (standard on Diffrient Smart Plus)

CONTOURED CUSHIONS

- Carefully sculpted to match body contours
- Increased contact area reduces pressure points
- Modular for easy replacement
- 2" thick cushions on Diffrient Smart with a 19.25" seat width
- 3" thick cushions on Diffrient Smart Plus with a 22" seat width

CYLINDER

- Standard cylinder provides seat height range that accommodates 95% of the population
- Optional low cylinder for small users
- Optional high cylinder for very tall users

BASE

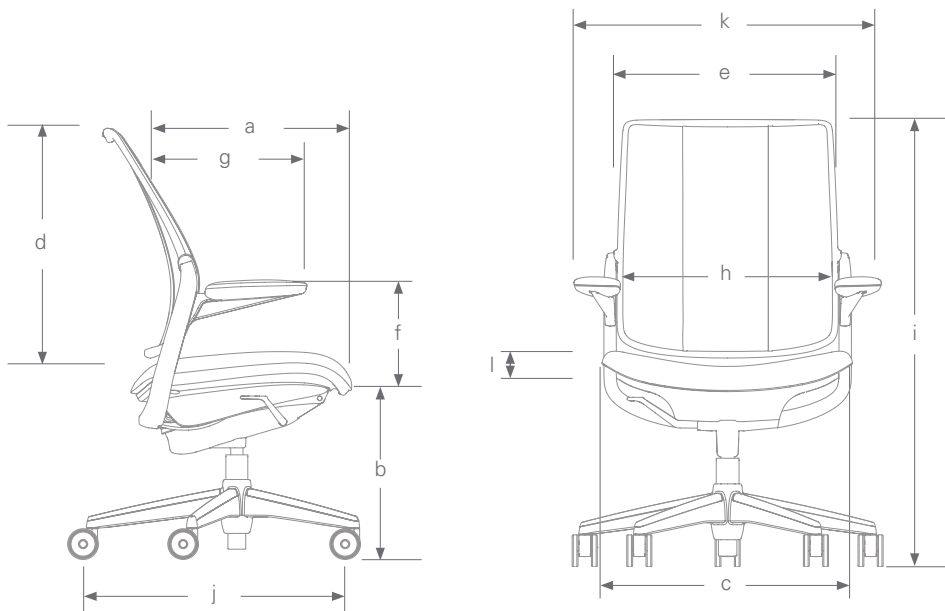
- Plastic base (standard on Diffrient Smart)
- Aluminum base (standard on Diffrient Smart Plus)

CASTER OPTIONS

- Standard 3" casters for carpeted floors
- Optional soft casters for hard floors



DIFFRIENT SMART Specifications



SCOPE OF USERS
<ul style="list-style-type: none"> Conference/Task chair fits 95% of the office population <ul style="list-style-type: none"> – 5'0" (152cm) Woman to 6'4" (193cm) Man – 100 to 400 lbs. (45.4kg – 181kg) Diffrient Smart Plus <ul style="list-style-type: none"> – 100 to 400 lbs. (45.4kg – 181kg) Users outside the standard height range can be accommodated by Low or Tall Cylinder
WEIGHT
<ul style="list-style-type: none"> • 34 lbs. with arms • 31 lbs. without arms
TILT AND RECLINE
<ul style="list-style-type: none"> • 18° recline plus 8° backrest tilt
REFERENCE ANGLE BETWEEN SEAT AND BACK
<ul style="list-style-type: none"> • 93° to 124°

CODE	DESCRIPTION	Diffrient Smart	Diffrient Smart Plus
a	seat depth (from face of lumbar to front of seat)	16.25" – 18.75"	17" – 19"
b	seat height (from floor to compressed front center of seat cushion)	16.5" - 20.75" standard cylinder chair 14.875" - 17.875" low-cylinder chair 17.625" - 22.625" tall-cylinder chair 20.75" - 28.25" 8" high-cylinder chair 17.125" - 19.75" 3" return to height cylinder chair 17.375" - 22.125" 5" return to height cylinder chair	17.5" – 22.75" standard cylinder chair 17.0" – 20.5" Low-Cylinder Chair 18.0" – 23.25" TALL-Cylinder Chair (5") 21.0" – 28.5" HIGH-Cylinder Chair (8") 17.25" – 19.63" Return to height Cylinder (3")
c	seat width	19.25"	22"
d	backrest height (from seat cushion to top of backrest)	22.50"	22.50"
e	backrest width	19"	19"
f	armrest height (from compressed seat cushion to top of armrest)	8.75" fixed 5" – 9.6" adjustable and 4D Arms	5.75" – 10.25" 4D (4D armrests only)
g	armrest length (from face of lumbar to front of armrest)	8.75"	8.75"
h	distance between armrests	18.50" fixed and adjustable 18" - 20" 4D arms	18" - 20" 4D arms (4D armrests only)
i	height	39" - 43.25" standard cylinder chair 37.5" - 40.5" low-cylinder chair 40.25" - 45.25" tall-cylinder chair 43.75" - 51.25" 8" high-cylinder chair 39.625" - 42.25" 3" return to height cylinder chair 39.875" - 44.625" 5" return to height cylinder chair	40" – 44.8" standard cylinder chair 40" – 43.5" low-cylinder chair 41" – 46" tall-cylinder chair 40.3" - 42.5" return to height cylinder chair
j	base diameter	26"	26"
k	chair width	26.5"	26.5"
l	cushion thickness	2"	3"



DIFFRIENT SMART Build Your Product Code

COMPONENT	CODE	BASE MODEL PRICE	Diffrient Smart		Diffrient Smart Ocean		Diffrient Smart Plus	
			LIST \$1,647		LIST \$1,727		LIST \$2,750	
LINE	S	Smart	-				-	
STYLE	1	Diffrient Smart Task Chair- Living Product Challenge Approved*	-		-		N/A	
* See page 44 for LPC approved textile options	2	Diffrient Smart Plus Task Chair	N/A		N/A		-	
	4	Diffrient Smart Task Chair	-		N/A		N/A	
	MECHANISM	1	Task Chair	-			-	
ARMRESTS	0	Armless	-		-		-	
	1	Fixed Duron Arms	\$186		\$186		N/A	
	2	Fixed Duron Arms with Matching Textile	\$218		\$218		N/A	
	3	Adjustable Duron Arms	\$307		\$307		N/A	
	4	Adjustable Duron Arms with Matching Textile	\$342		\$342		N/A	
	5	4D Adjustable Duron Arms	\$361		\$361		\$361	
	6	4D Adjustable Duron Arms with Matching Textile	\$397		\$397		\$397	
FRAME COLOR	B	Black Frame with Black Trim	-		-		-	
	D	Dark Gray Frame with Polished Aluminum Trim	\$156		N/A		\$156	
	C	Black Frame with Polished Aluminum Trim	\$156		\$156		\$156	
BACKREST MESH STYLE		See page 41 and textile samples for mesh color options and codes						
BACKREST MESH COLOR		See page 41 and textile samples for mesh color options and codes						
SEAT TEXTILE		Textile Grade 1 (FT,K,CF)	\$28		\$28		\$45	
		Textile Grade 2 (F)	\$91		\$91		\$120	
		Leather Grade 1 (TL)	\$753		\$753		\$1,003	
		Leather Grade 3 (CL)	\$1,461		\$1,461		\$1,886	
SEAT TEXTILE COLOR		See pages 39- 41 for color options						
LEATHER STITCHING		If leather is selected, see page 40 for stitch options						
	-	No leather selected	-		-		-	
SEAT PAN	-	Standard Seat Pan	-		-		-	
CYLINDER	-	Standard 5"	-		-		-	
	A	3" Return to Height Cylinder	\$68		\$68		\$68	
	E	5" Return to Height Cylinder	\$68		\$68		\$68	
	L	Low 3.75"	\$41		\$41		\$41	
	T	Tall 5"	\$59		\$59		\$59	
	W	High 8" cylinder w/ 20" foot ring	\$242		\$242		N/A	
	CASTERS/ GLIDES	-	Standard Casters for Carpeted Floors	-		-		-
S		Soft Casters	-		-		-	
FIREPROOFING	-	Standard Foams and Plastics	-		-		-	
	C	CAL 133 Approved Foams and Plastics	\$77		\$74		\$98	
BASE	-	Standard Base	-		-		-	
	A	Polished Aluminum Base	\$226		\$226		\$226	
SHIPPING	-	Individually Boxed	-		-		-	
	B	Blanket Wrapped- See Terms and Conditions for minimum order requirements	-		-		-	



DIFFRIENT SMART Options & Prices

REPLACEMENT PARTS	Code	CAL133 Available	Price	Textile 1	Textile 2	Leather 1	Leather 3
Foam Seat Cushion (Diffrient Smart)	SSF12226	C	N/A	\$196	\$232	\$813	\$1,229
Foam Seat Cushion (Diffrient Smart Plus)	S2SF12226	C	N/A	\$269	\$307	\$1,012	\$1,467
Mesh Backrest (Diffrient Smart & Smart Plus)	SB3422		\$225	N/A	N/A	N/A	N/A
Mesh Backrest (Smart Ocean)	S1BB422		\$257	N/A	N/A	N/A	N/A
Duron Arm Pads (Pair) (Diffrient Smart & Smart Plus)	SDA5		\$89	N/A	N/A	N/A	N/A
Duron Arm Pads w/Matching Textile (Pair) (Diffrient Smart & Smart Plus)	SDAM1222	C	N/A	\$102	\$129	\$169	\$253

RETROFIT KITS	Code	CAL133 Available	Price	Textile 1	Textile 2	Leather 1	Leather 3
Fixed Duron Arms	SKF35		\$293	N/A	N/A	N/A	N/A
Fixed Duron Arms w/Matching Textile	SKFM31222	C	N/A	\$307	\$351	\$377	\$458
Height Adustable Duron Arms	SKH35		\$520	N/A	N/A	N/A	N/A
Height Adustable Duron Arms w/Matching Textile	SKHM31222	C	N/A	\$532	\$560	\$600	\$683
4D Adjustable Duron Arms	SKD35		\$560	N/A	N/A	N/A	N/A
4D Adjustable Duron Arms w/ Matching Textile	SKDM31222	C	N/A	\$573	\$600	\$644	\$723

Any code containing a number refers to the component or textile that must be selected to order the replacement or retrofit part.

- 1** – Textile Code (pages 41-42) **2** – Cushion Color (pages 41-42) **3** – Frame Color (B, D, A)
4 – Mesh (M, C, A, N, J) **5** – Arm Pad Color (B, G) **6** – Leather Stitch Color (page 42)





LIBERTY

Liberty, with Form-Sensing Mesh Technology, is unlike any mesh chair you've seen or experienced. With its tri-panel construction, Liberty has the body-fitting contours that single-panel stretch mesh chairs simply can't achieve. And it offers perfect lumbar support for everyone, without external devices or manual adjustments. Liberty's mesh back is formed by combining three panels of non-stretch mesh in the same way a tailor combines multiple pieces of material to form a shirt. So its contours are custom-made to both fit and support the human body in unprecedented comfort.

LIBERTY Features & Characteristics



BODY FIT

Size adjustable to fit more than 95% of the population

CUSHION PAN, BACK FRAME, FIVE-ARM BASE

Injection-molded, structural, integral color plastics.
Optional stainless steel caps on base

EXTERNAL FRAME

Die-cast aluminum with fused plastic coating or polished aluminum finish

FIREPROOFING

CAL 133-approved: optional fireproof barrier between textile and foam

SELF-ADJUSTING RECLINE

- Intelligent counter-balance recline mechanism automatically provides the right amount of support through the full range of recline motion, regardless of user size and weight
- No tension springs to adjust
- No recline locks to set/release
- During recline, the angle between torso and legs opens up for better body function
- User maintains near-constant eye level during recline

PIVOTING BACKREST

- Extra motion of the backrest during recline automatically adjusts to the changing needs of the spine
- Provides additional lumbar support as needed

ARMREST OPTIONS

- Armless
- Fixed armrests
- Height-adjustable armrests with 5" range of adjustment
- Armpad Options: Standard Flexible Duron or Duron with Gel for optimal comfort

FORM-SENSING MESH

- Tri-panel, non-stretch mesh construction creates body-fitting contours and self-adjusting lumbar support for a customized fit
- No external lumbar devices to adjust, break or lose
- Low-abrasion mesh protects clothing
- Modular for easy replacement

CONTOURED CUSHIONS

- Carefully sculpted to match body contours
- Increased contact area reduces pressure points
- Modular for easy replacement
- Glueless cushions mean less usage of materials for a more environmentally friendly solution

CYLINDER

- Standard cylinder provides seat height range that accommodates 95% of the population
- Optional low cylinder for small users
- Optional tall cylinder for very tall users
- Optional high cylinder with foot ring

OPTIONAL FOOT RING

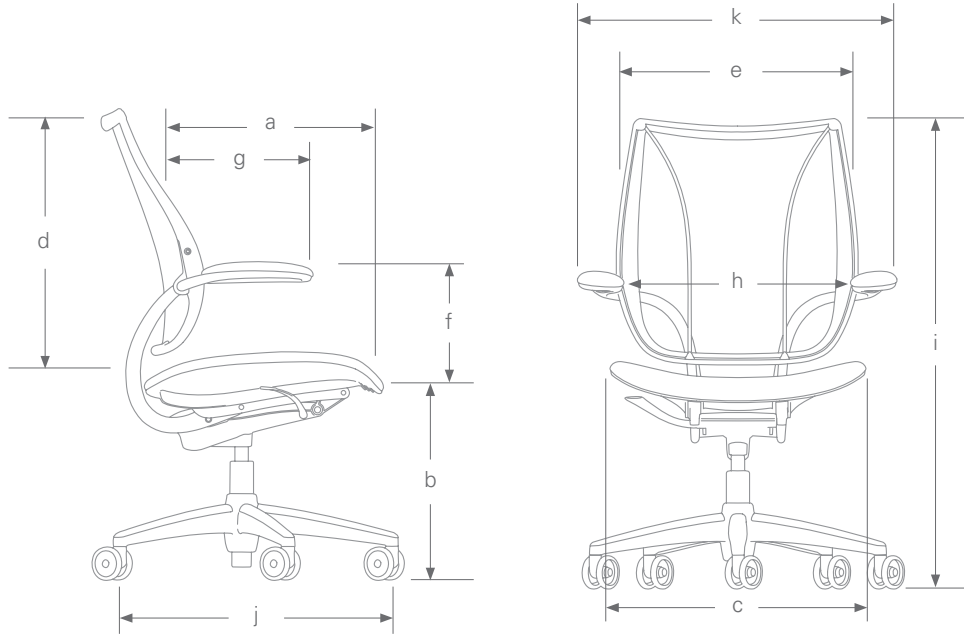
- Polished finish
- Height-adjustable

CASTER OPTIONS

- Standard 3" casters for carpeted floors
- Optional soft casters for hard floors
- Optional non-rolling glides for fixed location use



LIBERTY Specifications



CODE	DESCRIPTION	MEASUREMENT
a	seat depth <i>(from face of lumbar to front of seat)</i>	16.5" – 18.75"
b	seat height <i>(from floor to compressed front center of seat cushion)</i>	16.6" - 20.9" standard cylinder chair 15.4" - 18.4" low-cylinder chair 17.25" - 22.6" tall-cylinder chair 21.1" - 28.6" high-cylinder chair 24.0" - 34.0" extra high-cylinder chair 16.875" - 19.5" 3" return to height cylinder chair 17.125" - 21.875" 5" return to height cylinder chair
c	seat width	21.25"
d	backrest height <i>(from seat cushion to top of backrest)</i>	23"
e	backrest width	20"
f	armrest height <i>(from compressed seat cushion to top of armrest)</i>	10" fixed 6.25"-9.75" adjustable
g	armrest length <i>(from face of lumbar to front of armrest)</i>	8.6"
h	distance between armrests	19"
i	height	39.25" - 43.625" standard cylinder chair 37.875" - 40.875" low-cylinder chair 40.5" - 45.5" tall-cylinder chair 43.5" - 51.0" high-cylinder chair 47.0" - 57.0" extra high-cylinder chair 39.875" - 42.5" 3" return to height cylinder chair 40.125" - 44.875" 5" return to height cylinder chair
j	base diameter	25"
k	chair width	26.5" with arms 21" without arms

SCOPE OF USERS

- Conference/Task chair fits more than 95% of the office population
 - 5'0" Woman to 6'4" Man
 - 100 to 400 lbs.
- Users outside the standard range can be accommodated by Low or Tall Cylinder

WEIGHT

- 34 lbs. *with arms*
- 30 lbs. *without arms*

TILT AND RECLINE

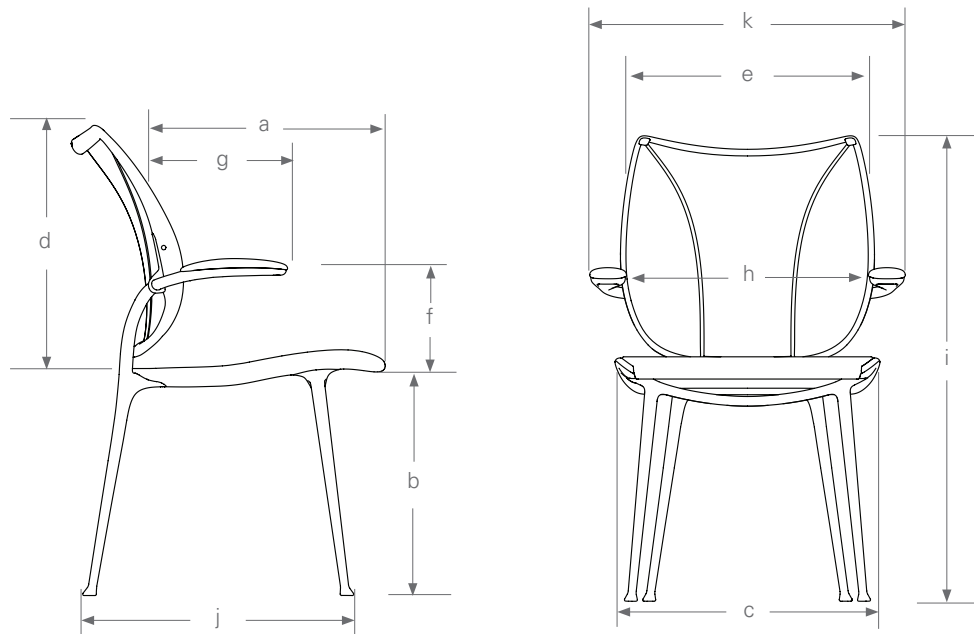
- 17° recline plus 7° backrest tilt
Conference/Task chair

REFERENCE ANGLE BETWEEN SEAT AND BACK

- 100° to 124° *Conference/Task chair*



LIBERTY Specifications



CODE	DESCRIPTION	MEASUREMENT
a	seat depth <i>(from face of lumbar to front of seat)</i>	18.5"
b	seat height <i>(from floor to compressed front center of seat cushion)</i>	18.4"
c	seat width	20.75"
d	backrest height <i>(from seat cushion to top of backrest)</i>	20.75"
e	backrest width	20.25"
f	armrest height <i>(from compressed seat cushion to top of armrest)</i>	9.1"
g	armrest length <i>(from face of lumbar to front of armrest)</i>	12"
h	distance between armrests	19.15"
i	height	36.75"
j	base diameter	N/A
k	chair width	25"

SCOPE OF USERS
<ul style="list-style-type: none"> Side chair fits more than 95% of the office population <ul style="list-style-type: none"> – 5'0" Woman to 6'4" Man – 100 to 300 lbs.
WEIGHT
<ul style="list-style-type: none"> 18 lbs. <i>with arms</i> 17 lbs. <i>without arms</i>



LIBERTY Build Your Product Code

COMPONENT	CODE	BASE MODEL PRICE	TASK		OCEAN		SIDE	
			LIST \$1,489		LIST \$1,563		LIST \$785	
STYLE	L11	Task Chair	-		N/A		N/A	
	L21	Liberty Ocean Task Chair	N/A		-		N/A	
	L40	Side Chair	N/A		N/A		-	
ARMRESTS	0	Armless	-		-		-	
	6	Fixed Duron Arms	\$161		\$161		\$128	
	7	Fixed Duron Arms with Matching Textile	\$196		\$196		\$165	
	X	Fixed Duron Gel Arms	\$207		\$207		\$173	
	M	Fixed Duron Gel Arms with Matching Textile	\$245		\$245		\$212	
	1	Adjustable Duron Arms	\$274		\$274		N/A	
	2	Adjustable Duron Arms with Matching Textile	\$313		\$313		N/A	
FRAME COLOR	B	Black with Black Trim	-		-		-	
	V	Silver with Silver Trim	-		N/A		-	
	L	Silver with Black Trim	-		-		-	
	A	Polished Aluminum with Black Trim	\$206		\$206		\$135	
	P	Polished Aluminum with Silver Trim	\$206		N/A		\$135	
BACKREST MESH STYLE		See pages 39- 41 for mesh color options and codes						
BACKREST MESH COLOR		See pages 39- 41 for mesh color options and codes						
SEAT MESH/ TEXTILE STYLE		Mesh (M,C,N,J,A)	N/A		N/A		-	
		Textile Grade 1 (FT,K,CF)	\$34		\$34		\$98	
		Textile Grade 2 (F)	\$75		\$75		\$129	
		Leather Grade 1 (TL)	\$635		\$635		N/A	
		Leather Grade 3 (CL)	\$1,282		\$1,282		N/A	
SEAT MESH/ TEXTILE COLOR		See pages 39- 41 for mesh color options and codes						
LEATHER STITCHING		If leather is selected, see page 40 for stitch options						
	-	No leather selected	-		-		-	
GEL SEAT	-	Standard Seat Pan	-		-		-	
	G	Gel Seat- <i>Not compatible with Lotus or with leather textiles</i>	\$120		\$120		N/A	
CYLINDER	-	Standard 5"	-		-		N/A	
	A	3" Return to Height Cylinder	\$69		\$69		N/A	
	E	5" Return to Height Cylinder	\$69		\$69		N/A	
	L	Low 3.75"	\$42		\$42		N/A	
	T	Tall 5"	\$61		\$61		N/A	
	W	High 8" w/ 20" Foot Ring	\$204		\$204		N/A	
	Y	10" Extra High w/ 20" Foot Ring	\$204		\$204		N/A	
CASTERS/GLIDES	-	Standard 3" Casters for carpeted floors	-		-		N/A	
	S	Soft Casters	-		-		N/A	
	G	Glides	\$30		\$30		N/A	
FIREPROOFING	-	Standard Foams and Plastics	-		-		-	
	C	CAL 133-Approved Foams and Plastics <i>(Included in all side chairs)</i>	\$68		\$68		-	
BASE	-	Standard Base	-		-		N/A	
	A	Polished Aluminum Base	\$226		\$226		N/A	
SHIPPING	-	Individually Boxed	-		-		-	
	B	Blanket Wrapped- <i>See Terms and Conditions for minimum order requirements</i>	-		-		-	



LIBERTY Options & Prices

REPLACEMENT PARTS	Code	CAL133 Available	Price	Textile 1	Textile 2	Leather 1	Leather 3
-------------------	------	------------------	-------	-----------	-----------	-----------	-----------

Liberty Conference/Task							
Seat (Foam)	LSF 12226	C	N/A	\$202	\$245	\$882	\$1,339
Seat (Gel)	LSG 1222	C	N/A	\$322	\$364	N/A	N/A
Mesh Backrest	LB3422		\$284	N/A	N/A	N/A	N/A
Fixed Duron Arm Pads (Pair)	LDA5		\$75	N/A	N/A	N/A	N/A
Height-Adjustable Duron Arm Pads (Pair)	LDV5		\$75	N/A	N/A	N/A	N/A
Height-Adjustable Duron Arm Pads with Matching Textile	LDVM1222		N/A	\$105	\$138	\$188	\$301
Height-Adjustable Duron Arm Pads (Pair)	LDVH5	C	\$75	N/A	N/A	N/A	N/A
Height-Adjustable Duron Arm Pads with Matching Textile	LDVHM1222	C	N/A	\$105	\$138	\$188	\$301

Liberty Side							
Mesh Backrest	LSCB3422		\$281	N/A	N/A	N/A	N/A
Mesh Seat Cushion	LSCS3422		\$281	N/A	N/A	N/A	N/A
Textile-covered Seat Cushion	LSCSM31222			\$314	\$345	N/A	N/A
Duron Arm Pads (Pair)	LSDA5		\$74	N/A	N/A	N/A	N/A
Duron Gel Arm Pads (Pair)	LSGA		\$123	N/A	N/A	N/A	N/A
Duron Arm Pads with Matching Textile Cover (Pair)	LSDAM 1222		N/A	\$104	\$136	\$186	\$298
Gel Arm Pads with Matching Textile Cover (Pair)	LSGAM 1222			\$153	\$185	\$234	\$345

Any code containing a number refers to the component or textile that must be selected to order the replacement or retrofit part.

1 – Textile Code (pages 41-42) **2** – Cushion Color (pages 41-42) **3** – Frame Color (B, V, A) **4** – Mesh (M, C, A, N, J)

5 – Arm Pad Color (B, V) **6** – Leather Stitch Color (page 42)



LIBERTY Options & Prices

RETROFIT PARTS	Code	CAL133 Available	Price	Textile 1	Textile 2	Leather 1	Leather 3
----------------	------	------------------	-------	-----------	-----------	-----------	-----------

Liberty Task Retrofit Kits							
Fixed Duron Arms (Pair)	LKFD35		\$188	N/A	N/A	N/A	N/A
Height-Adjustable Duron Arms (Pair)	LKD35		\$259	N/A	N/A	N/A	N/A
Fixed Duron Arms with Matching Textile (Pair)	LKFDM31222	C		\$219	\$251	\$301	\$413
Height-Adjustable Duron Arms with Matching Textile (Pair)	LKDM31222	C		\$292	\$322	\$373	\$486

Liberty Side Retrofit Kits							
Fixed Duron Arms (Pair)	LSKFD35		\$168	N/A	N/A	N/A	N/A
Fixed Duron Arms with Matching Textile Cover (Pair)	LSKFDM31222			\$200	\$234	\$281	\$394

Any code containing a number refers to the component or textile that must be selected to order the replacement or retrofit part.

1 – Textile Code (pages 42-43) **2** – Cushion Color (pages 42-44) **3** – Frame Color (B, V, A) **4** – Mesh (M, C, A, N, J)

5 – Arm Pad Color (B, V) **6** – Leather Stitch Color (page 42)

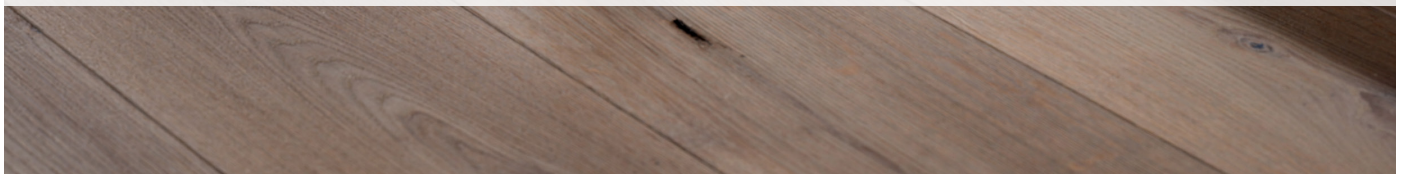




PATH

Path builds on Humanscale's 25 years of innovative engineering, developing products that are simple to use, encourage movement and healthy postures, and function and look as new after years of use.

Designed in collaboration with Todd Bracher Studio, our design goal was to create a task chair that is simple, beautiful and challenges our industry standard of complex mechanisms that require manual adjustment.



PATH Features & Characteristics



BODY FIT

- Size adjustable to fit more than 95% of the population

CUSHION PAN, BACK FRAME, FIVE-ARM BASE

- Injection-molded, structural, integral color plastics

EXTERNAL FRAME

- Die-cast aluminum with powder coating

SELF-ADJUSTING RECLINE

- Gravity Mechanism™ provides automatic support by using the sitter weight to counter recline force, resulting in a custom sitting experience for each user regardless of their size and weight
- No tension springs to adjust
- No recline locks to set/release
- During recline, the angle between torso and legs opens up for better body function
- User maintains near-constant eye level during recline

FORMSENSE ECO KNIT™

- FormSense Eco Knit™ instantly conforms to the shape of sitter's back, providing self-adjusting lumbar support that is tailored fit to any user
- No external lumbar devices to adjust, break or lose
- Modular for easy replacement

ARMREST OPTIONS

- Armless
- Fixed armrests
- Height-adjustable armrests

CONTOURED CUSHIONS

- Carefully sculpted to match body contours
- Increased contact area reduces pressure points
- Modular for easy replacement
- Glueless cushions mean less usage of materials for a more environmentally friendly solution

CYLINDER

- Standard cylinder provides seat height range that accommodates 95% of the population
- Optional low cylinder for small users

BASE

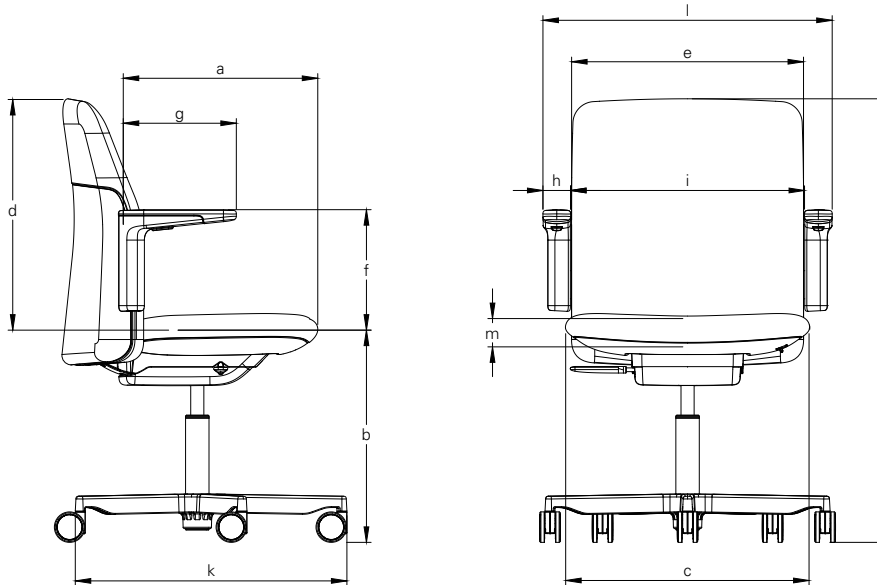
- Standard base to match frame
- Polished Aluminum Base on Black or Light Gray Frame

CASTER OPTIONS

- Standard casters for carpeted floors
- Optional soft casters for hard floors



PATH Specifications



CODE	DESCRIPTION	MEASUREMENT
a	Seat Depth (from Lumbar of front of seat)	16.30" - 18.70"
b	Seat Height (from floor to compressed front center of seat cushion)"	Std Cylinder: 15.55" - 20.87" Low Cylinder: 14.45" - 19.33"
c	Seat Width	20.47"
d	Backrest Height (from top of compressed seat cushion to top of backrest)	20.67"
e	Backrest Width	19.09"
f	Armrest Height (from compressed seat cushion to top of armrest)	Fixed: 9.21" Adjustable: 6.69" - 9.87"
g	Armrest Length (from face of lumbar to front of armrest)	9.25"
h	Armrest Width	Fixed: 2.05 Adjustable: 2.32
i	Distance Between Armrests	19.88"
j	Height	Std Cylinder: 34.65" - 39.76" Low Cylinder: 33.54" - 38.23"
k	Base Diameter	25"
l	Chair Width (not including base)	Armless: 19.09 Fixed: 23.82 Adjustable: 24.41
m	Cushion Thickness	2"

SCOPE OF USERS
<ul style="list-style-type: none"> Conference/Task chair fits 95% of the office population <ul style="list-style-type: none"> 5'0" (152cm) Woman to 6'4" (193cm) Man 100 to 300 lbs. (45.4kg - 181kg) Users outside the standard height range can be accommodated with a Low Cylinder
WEIGHT
<ul style="list-style-type: none"> 41 lbs. with Arms 34.5 lbs. Armless
TILT AND RECLINE
<ul style="list-style-type: none"> 0 tilt / 16° recline
REFERENCE ANGLE BETWEEN SEAT AND BACK
<ul style="list-style-type: none"> 104°



PATH Build Your Product Code

COMPONENT	CODE	DESCRIPTION	LIST	
STYLE	PT1	Path Chair	\$1,485	
ARMREST	0	Armless	-	
	1	Fixed Arms	\$151	
	6	Adjustable Duron Arms	\$281	
FRAME	B	Black with Black Trim	-	
	V	Light Gray with Dark Gray Trim	\$79	
	A	Polished Aluminum with Black	\$166	
	P	Polished Aluminum with Light Gray	\$238	
TEXTILE	KT	FormSense Eco Knit	-	
	K	Textile Grade 1	\$93	
	TL	Leather Grade 1	\$613	
	CL	Leather Grade 3	\$815	
LEATHER STITCH	L	Only if leather is selected, see textiles section for stitch options	-	
CYLINDER	-	Standard 5"	-	
	L	L Low 3.75"	\$56	
CASTER	-	- Standard Hard Casters	-	
	S	S Soft Casters	-	
	O	O Soft Braking Caster	\$71	
FIREPROOFING	-	- Standard Foams and Plastics	-	
BASE	-	Standard Base to match frame color	-	
	A	Polished Aluminum Base	\$209	
SHIPPING	-	Individually Boxed (Knock Down)	-	
	B	Blanket Wrapped	-	



PATH Options & Prices

REPLACEMENT PARTS	Code	Price
-------------------	------	-------

Chair Parts		
Seat	PS12224	\$192
Back	PB12224	\$218
Back Shell	PBS3	\$278
Back Shell (Armless)	PBSL3	\$278

Armrests		
Fixed Arms (Pair)	PTF3	\$72
Height-Adjustable Arms (Pair)	PTA3	\$100

RETROFIT PARTS	Code	Price
Fixed Arms (Pair)	PTFD3	\$205
Height-Adjustable Arms (Pair)	PTAD3	\$246

Any code containing a number refers to the component or textile that must be selected to order the replacement or retrofit part.

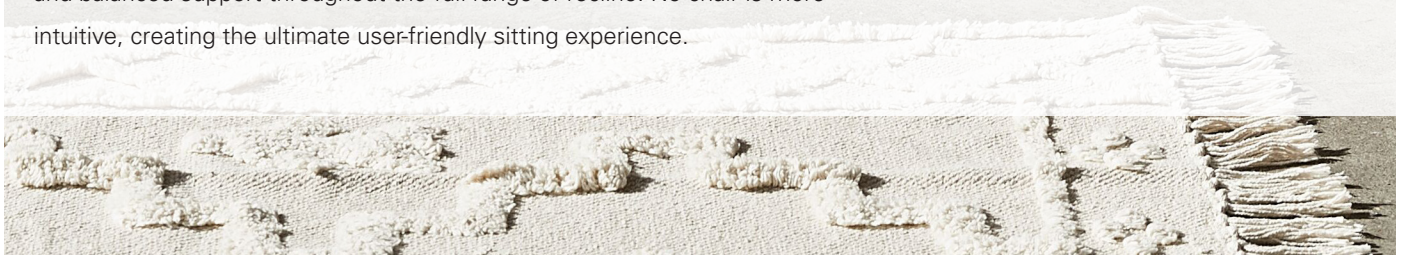
- 1** – Textile Code
- 2** – Cushion Color
- 3** – Frame/Cushion Shell Color (B, V, A, P)
- 4** – Leather Stitch Color (see textiles section)





DIFFRIENT WORLD

Diffrient World marks Humanscale's first foray into all-mesh task seating. Like its mesh-backed forerunner, Liberty, Diffrient World's tri-panel backrest hugs the body to provide tailor-made lumbar support, while its mesh seat eliminates contact stress under the thighs. But Diffrient World's major innovation is its mechanism-free recline action, which leverages two parts of the chair's frame, the user's body weight, and the laws of physics to provide automatic and balanced support throughout the full range of recline. No chair is more intuitive, creating the ultimate user-friendly sitting experience.



DIFFRIENT WORLD Features & Characteristics



BODY FIT

Size adjustable to fit more than 95% of the population

CUSHION PAN, BACK FRAME, FIVE-ARM BASE

Non-stretch, tri-panel mesh back. Non-stretch mesh seat. Optional upholstered polyurethane foam seat cushion

EXTERNAL FRAME

Injection-molded, structural, integral color glass-filled Nylon 6

FIREPROOFING

CAL 133-approved option available

SELF-ADJUSTING RECLINE

- Intelligent counter-balance recline mechanism automatically provides the right amount of support through the full range of recline motion, regardless of user size and weight
- No tension springs to adjust
- No recline locks to set/release
- During recline, the angle between torso and legs opens up for better body function
- User maintains near-constant eye level during recline

PIVOTING BACKREST

- Extra motion of the backrest during recline automatically adjusts to the changing needs of the spine
- Provides additional lumbar support as needed

ARMREST OPTIONS

- Armless, Fixed armrests or Height-adjustable armrests with 3.2" range of adjustment

ARM PAD OPTIONS

- Flexible Duron or Matching textile-covered arm pad

FORM-SENSING MESH

- Tri-panel, non-stretch mesh construction creates body-fitting contours and self-adjusting lumbar support for a customized fit
- No external lumbar devices to adjust, break or lose
- Low-abrasion mesh protects clothing
- Modular for easy replacement

NON-STRETCH MESH SEAT

- Automatically sculpts to match body contours
- Cradles the body in flexible, breathable mesh
- Frameless front edge eliminates contact stress under the thighs

CYLINDER

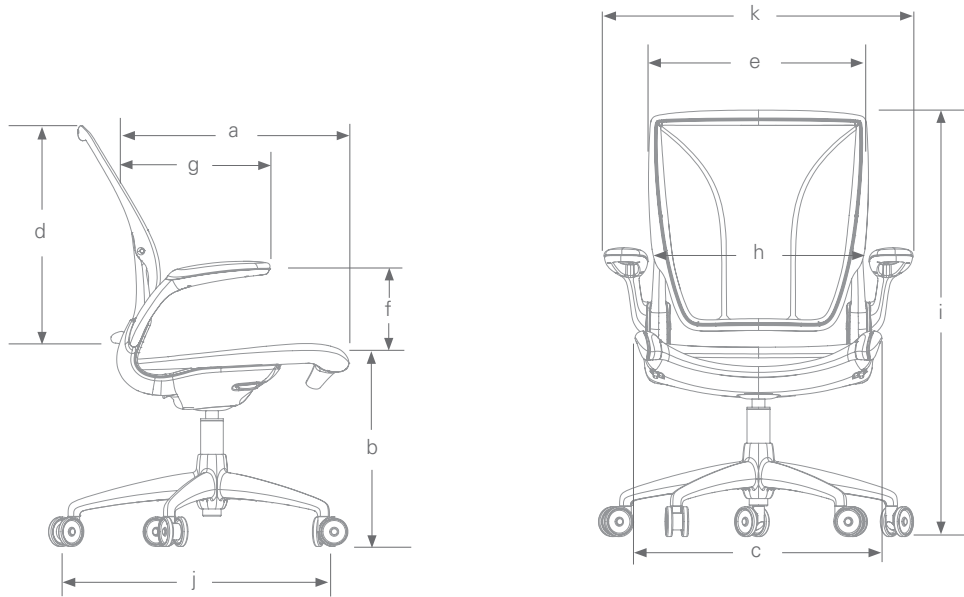
- Standard cylinder provides seat height range that accommodates 95% of users
- Optional low cylinder for small users
- Optional tall cylinder for very tall users
- Optional high cylinder with foot ring

CASTER OPTIONS

- Standard 3" (76mm) hard casters
- Optional non-rolling glides for fixed location use
- Optional soft casters for hard floors



DIFFRIENT WORLD Specifications



CODE	DESCRIPTION	MEASUREMENT
a	seat depth <i>(from face of lumbar to front of seat)</i>	15.70" - 18.25"
b	seat height <i>(from floor to compressed front center of seat cushion)</i>	15.63" - 20.75" standard chair 12.75" - 15.75" low chair 18.13" - 25.63" 8" high cylinder with 20" foot ring 20.75" - 30.75" 10" extra-high cylinder with 20" foot ring 14.75" - 17.38" 3" return to height cylinder 15.0" - 19.75" 5" return to height cylinder
c	seat width	20.20"
d	backrest height <i>(from seat cushion to top of backrest)</i>	22.5"
e	backrest width	16"
f	armrest height <i>(from compressed seat cushion to top of armrest)</i>	9.50" fixed 7.20" - 10.75" adjustable
g	armrest length <i>(from face of lumbar to front of armrest)</i>	8.40"
h	distance between armrests	18.75"
i	height	35.625" - 40.75" standard chair 32.75" - 35.75" low chair 38.125" - 45.625" 8" high cylinder with 18" foot ring 40.75" - 50.75" 10" extra-high cylinder with 21" foot ring 34.75" - 37.375" 3" return to height cylinder 35.0" - 39.75" 5" return to height cylinder
j	base diameter	25" (635mm)
k	chair width	25.75" (with arms) 21" (without arms)

SCOPE OF USERS
<ul style="list-style-type: none"> Conference/Task chair fits 95% of the office population <ul style="list-style-type: none"> 5'0" (152cm) Woman to 6'4" (193cm) Man 100 to 400 lbs. (45.4kg - 181kg) Users outside the standard height range can be accommodated by Low or Tall Cylinder
WEIGHT
<ul style="list-style-type: none"> 28 lbs. Conference/Task chair 24 lbs. Armless chair
TILT AND RECLINE
<ul style="list-style-type: none"> 17° recline plus 8° backrest tilt
REFERENCE ANGLE BETWEEN SEAT AND BACK
<ul style="list-style-type: none"> 97.7° to 114.3°



DIFFRIENT WORLD Build Your Product Code

COMPONENT	CODE	BASE MODEL PRICE	LIST \$1,281	
LINE	W	Diffrient World Chair	-	
STYLE	1	Conference/Task Chair	-	
ARMRESTS	0	Armless	-	
	6	Fixed Duron Arms	\$129	
	7	Fixed Duron Arms with Matching Textile- <i>Available with textile covered seat only</i>	\$169	
	1	Height Adjustable Duron Arms	\$275	
	2	Height Adjustable Duron Arms with Matching Textile- <i>Available with textile covered seat only</i>	\$317	
	3	Height Adjustable 4D Duron Arms	\$329	
	4	Height Adjustable 4D Duron Arms with Matching Textile- <i>Available with textile covered seat only</i>	\$365	
FRAME COLOR	B	Black	-	
	W	White	\$33	
	V	Gray	-	
BACKREST MESH STYLE		See page 41 and textile Samples for mesh color options and codes		
BACKREST MESH COLOR		See page 41 and textile Samples for mesh color options and codes		
SEAT MESH/ TEXTILE STYLE		Mesh (A,N,J)	-	
		Textile Grade 1 (FT,K,CF)	\$116	
		Textile Grade 2 (F)	\$182	
SEAT MESH/ TEXTILE COLOR		See pages 39- 41 and textile samples for mesh color options and codes		
CYLINDER	—	Standard 5"	-	
	A	3" Return to Height Cylinder	\$69	
	E	5" Return to Height Cylinder	\$69	
	L	Low 3.75"	\$42	
	W	High 8" Cylinder w/ 20" Foot Ring <i>requires soft casters and glides</i>	\$204	
	Y	Extra-high 10" Cylinder w/ 20" Foot Ring <i>requires soft casters and glides</i>	\$204	
CASTERS/GLIDES	—	Standard Hard Casters	-	
	S	Soft Casters	\$27	
	G	Glides	\$35	
FIREPROOFING	—	Standard Plastics and Foams	-	
	C	CAL133 Label Applied to Underside of Chair	-	
BASE	—	Standard	-	
	A	Polished Aluminum Base	\$226	
SHIPPING	—	Individually Boxed	-	
	B	Blanket Wrapped- <i>See Terms and Conditions for minimum order requirements</i>	-	



DIFFRIENT WORLD Options & Prices

REPLACEMENT PARTS	Code	CAL133 Available	Price	Textile 1	Textile 2
-------------------	------	------------------	-------	-----------	-----------

Seat Cushions					
Mesh Backrest	DWCB3422	C	\$239	N/A	N/A
Mesh Seat Cushion	DWCS3422	C	\$239	N/A	N/A
Textile-Covered Seat Cushion	DWCSM31222	C	N/A	\$342	\$378

Armrest Cushions					
Fixed Duron Arm Pads (Pair)	DWFD35	C	\$77		
Fixed Duron Arm Pads with Matching Textile Cover (Pair)*	DWFDM1222	C		\$111	\$148
Height Adjustable Duron Arm Pads (Pair)	DWAD35	C	\$77		
Height Adjustable Duron Arm Pads with Matching Textile Cover (Pair)*	DWADM1222	C		\$111	\$148

RETROFIT PARTS	Code	CAL133 Available	Price	Textile 1	Textile 2
Fixed Duron Arms (Pair)	DWKFD35	C	\$154		
Fixed Duron Arms with Matching Textile Cover (Pair)*	DWKFDM31222	C		\$188	\$222
Height-Adjustable Duron Arms (Pair)	DWKAD35	C	\$308		
Height-Adjustable Duron Arms with Matching Textile Cover (Pair)*	DWKADM31222	C		\$342	\$378
Height-Adjustable 4D Arms (Pair)	DWKDD35	C	\$363		
Height-Adjustable 4D Arms with Matching Textile Cover (Pair)*	DWKDDM31222	C		\$396	\$432

Any code containing a number refers to the component or textile that must be selected to order the replacement or retrofit part.

- 1** – Textile Code (pages 42-43) **2** – Cushion Color (pages 42-43) **3** – Frame Color (B, W, V)
4 – Mesh (M, C, A, N, J) **5** – Arm Pad Color (S, B)

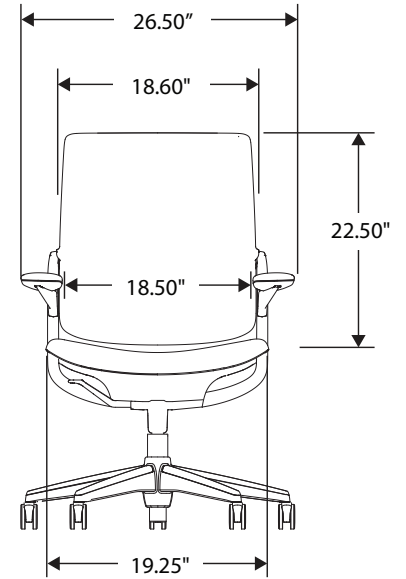
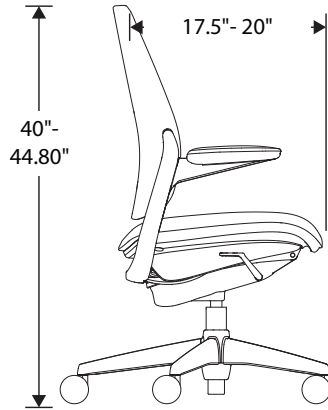
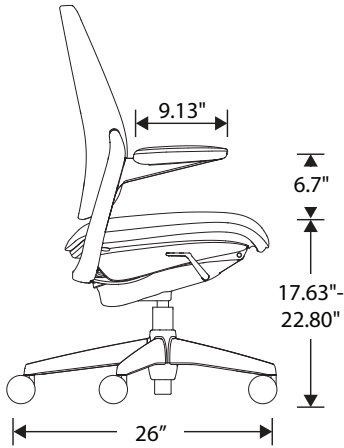




SMART CONFERENCE

Adapted from iconic industrial designer Niels Diffrient's original Smart chair, Smart Conference takes intuitive comfort to a new level of luxury suitable for any meeting space. Smart Conference shares the same intuitive, ergonomic, and sustainable design as our award-winning Smart chair. It adjusts instantly to the user's body, providing a perfectly tailored sitting experience for all. No matter their shape or size, each sitter enjoys the same comfort, support, and movement in a chair that feels made just for them.

SMART CONFERENCE Specifications



DESCRIPTION	MEASUREMENT
Seat Depth	15.75" - 17.64"
Seat Height	16.73" - 21.45" (standard cylinder) 17.4" - 20.12" (3" RTH cylinder) 17.64" - 22.56" (5" RTH cylinder)
Seat Width	18.5"
Backrest Height	24.68"
Backrest Width	18.9"
Height	41.42" - 46.14" (standard cylinder) 42.09" - 44.8" (3" RTH cylinder) 42.32" - 47.24" (5" RTH cylinder)
Base Diameter	26"
Armrest to Armrest	18.5"
Armrest Length	9.13"
Armrest Width	3.26"
Armrest Height	8.78"
Angle Between Seat and Back	113°

SCOPE OF USERS
<ul style="list-style-type: none"> Multi-purpose chair fits 95% of the office population <ul style="list-style-type: none"> 5'0" (152cm) to 6'4" (193cm) Person 100 to 400 lbs. (45.4kg - 181kg)
WEIGHT
<ul style="list-style-type: none"> 41 lbs.
TILT AND RECLINE
<ul style="list-style-type: none"> 8° tilt / 18° recline
PACKAGING (CHAIR IN BOX)
<ul style="list-style-type: none"> Size: 27.375" x 24.375" x 33" Weight: 60.15 lbs.
SUSTAINABILITY CERTIFICATIONS
<ul style="list-style-type: none"> Indoor Advantage Gold BIFMA Level III certified



SMART CONFERENCE

COMPONENT	CODE	DESCRIPTION	LIST	
STYLE	S61	Smart Conference	\$2,583	
ARMREST	0	Armless	-	
	1	Fixed Duron Arms	\$297	
	2	Fixed Duron Arms with Matching Textile	\$331	
FRAME	P	Polished Aluminum	-	
SEAT/BACK TEXTILE	ML	Maribo Leather	\$1,740	
TEXTILE COLOR	10N	Carbon w/ Noir Stitching <i>(Matching Stitching)</i>	-	
	10W	Carbon w/White Stitching <i>(Contrast Stitching)</i>	-	
	21A	Espresso w/ Cocoa Stitching <i>(Matching Stitching)</i>	-	
	21O	Espresso w/ Mocha Stitching <i>(Contrast Stitching)</i>	-	
	22C	Teak w/ Coffee Stitching <i>(Matching Stitching)</i>	-	
	22L	Teak w/ Saddle Stitching <i>(Contrast Stitching)</i>	-	
	12M	Slate w/ Midnight Stitching <i>(Matching Stitching)</i>	-	
	12P	Slate w/ Medium Grey Stitching <i>(Contrast Stitching)</i>	-	
	11Y	Stone w/ Light Grey Stitching <i>(Matching Stitching)</i>	-	
	31V	Bone w/ Vanilla Stitching <i>(Matching Stitching)</i>	-	
	31O	Bone w/ Mocha Stitching <i>(Contrast Stitching)</i>	-	
	13W	Frost w/White Stitching <i>(Matching Stitching)</i>	-	
	23T	Terra w/ Tan Stitching <i>(Matching Stitching)</i>	-	
	23D	Terra w/ Sand Stitching <i>(Contrast Stitching)</i>	-	
SEAT TYPE	-	Standard Seat Pan	-	
CYLINDER HEIGHT	-	Standard 5"	-	
	A	3" Return to Height	\$68	
	E	5" Return to Height	\$68	
CASTER	-	Standard Casters	-	
	S	Soft Casters	\$40	
	K	Locking Casters	\$188	
FIREPROOFING	-	Standard Foams and Plastics	-	
SHIPPING	-	Individually Boxed (Knock Down)	-	
	B	Blanket Wrapped	-	



SMART CONFERENCE Options & Prices

REPLACEMENT PARTS	Code	Price	Leather 1
-------------------	------	-------	-----------

Chair Parts			
Foam Seat Cushion	SSF12226		\$813
Foam Back Cushion (Armless) Includes U-Frame	SCBF12226		\$1,881
Foam Back Cushion (Fixed Arms) Includes U-Frame	SCBFF1226		\$1,956

Armrests			
Fixed Duron Arm Pads	SDA5	\$89	
Fixed Duron Arm Pads w/ Matching Textile	SDAM1222		\$169



SUMMA

Designed specifically with executive boardrooms and offices in mind, Summa's enveloping shape and sculpted materials converge for a truly harmonious design that exudes luxury in every detail. Utilizing only one discreet height adjustment lever, Summa features a weight-compensating recline mechanism and integrated armrests for exceptional ergonomic comfort and support.

SUMMA Features & Characteristics



Walnut Wood Finish



Ebony Wood Finish



Anegre Wood Finish

Features

- Built-in armrests attached to the back to move with the user, supporting the sitter in every posture
- Simple and discreet height-adjustment lever seamlessly integrated into the seat
- Sitter's own weight automatically sets the recline tension
- Chair back is available in three rich wood finishes or 7 upholstery options with matching box-stitching
- Supports users up to 300 lbs in weight and 6'4" in height
- Warranty: 10-year on components; 5-year on upholstery and wood

DESCRIPTION	MEASUREMENT	
	in	mm
Seat Depth (from face of lumbar to front of seat)	18	457.2
Seat Height (from floor to compressed front of seat cushion)	15.5 - 20.5	393.7 - 520.7
Seat Width	18.25	463.55
Backrest Height (from seat cushion to top of backrest)	20.75	527.05
Backrest Width	17.25	438.15
Armrest Height (from compressed seat cushion to top of armrest)	8	203.2
Armrest Length (from face of lumbar to front of armrest)	11	279.4
Distance Between Armrests	17.25	438.15
Height	36.25 - 41.25	920.75 - 1,047.75
Base Diameter	25.5	647.7
Chair Width	28	711.2
Chair Depth	25.5	647.7
Upholstered Chair Weight	43 lbs.	19.5 kg
Wood Chair Weight	46 lbs.	20.9 kg



SUMMA Build Your Product Code

			LIST PRICE	
COMPONENT	CODE	BASE MODEL PRICE	\$5,179	
STYLE	U1	Summa	-	
BACK SHELL	UL	Upholstered Leather <i>(Available in black powder coated aluminum or polished aluminum frame)</i>	\$1,412	
	WA	Anegre Wood <i>(Available in polished aluminum frame only)</i>	\$2,340	
	WW	Walnut Wood <i>(Available in polished aluminum frame only)</i>	\$2,340	
	WE	Ebony Wood <i>(Available in polished aluminum frame only)</i>	\$2,340	
	FRAME COLOR	B	Black with Black Trim	-
	P	Polished Aluminum	\$448	
SEAT/BACK TEXTILE	ML	Maribo Leather	\$1,406	
TEXTILE COLOR	10	Carbon <i>(Matching Stitch - N)</i>	-	
	21	Espresso <i>(Matching Stitch - V)</i>	-	
	22	Teak <i>(Matching Stitch - A)</i>	-	
	12	Slate <i>(Matching Stitch - T)</i>	-	
	11	Stone <i>(Matching Stitch - N)</i>	-	
	31	Bone <i>(Matching Stitch - H)</i>	-	
	13	Frost <i>(Matching Stitch - W)</i>	-	
	23	Terra <i>(Matching Stitch - T)</i>	-	
	BOX STITCHING <i>*Only Matching Box Stitching</i>	N	Noir	-
C		Coffee	-	
M		Midnight	-	
A		Cocoa	-	
V		Vanilla	-	
Y		Light Grey	-	
W		White	-	
SEAT TYPE		-	Standard Seat Pan	-
CYLINDER HEIGHT	-	Standard 5"	-	
CASTERS	H	Standard Casters	-	
	S	Soft Casters	\$40	
	K	Locking Casters	\$188	
FIRE PROOFING	-	Standard Plastics and Foams	-	
SHIPPING	-	Individually Boxed	-	

REPLACEMENT PART	CODE	LIST PRICE
Upholstered Seat Cushion	US11223	\$766
Back Shell	UBP11223	\$1,540
Upholstered Back Cushion	UB11223	\$1,818
WOODEN COMPONENTS		
Wood Back- Center Panel	UWB455	\$966
Wood Back- LH/RH Arm Panels	UWB455	\$765

* 1=Leather Option, 2= Leather Color, 3= Stitching Color, 4=Location (C for Center, A for Arms), 5=Wood Option



DIFFRIENT OCCASIONAL



Diffrient Occasional is a stackable multipurpose chair that is suitable for a variety of office and group settings. A strong, linear backrest made with proprietary non-stretch mesh creates a three-dimensional form — fitting the user like a perfectly tailored shirt. As with all of our mesh chairs, Occasional has a minimalist aesthetic and is supportive in all positions for long-term comfort.

- The lightweight chairs can be stacked up to five high for easy storage
- Long-lasting frame and durable urethane arms resist damage, even when moved and stacked
- Mesh pattern can be configured to match our Diffrient World task chair for a consistent aesthetic

Product Weight	21.5 lbs.
Product Height	36.68"
Product Width	23.23"
Product Depth	21.19"
Product Finishes	<i>Backrest Frame</i> - Black, Light Gray <i>Cantilever Base</i> - Black Powder Coat, Silver Powder Coat, Light Gray Powder Coat, Chrome 3

Build Your Product Code

COMPONENT	CODE	Base Model Price	Liberty		Smart		World	
			O1		O2		O3	
			LIST \$1,081		LIST \$1,081		LIST \$1,081	
Frame Color	B	Black with Black Trim	-		-		-	
	V	Silver with Gray Trim	-		N/A		-	
	D	Silver with Dark Gray Trim	N/A		-		N/A	
	T	Chrome 3 with Black Trim	\$124		\$124		N/A	
	C	Chrome 3 with Gray Trim	\$124		N/A		N/A	
	R	Chrome 3 with Dark Gray Trim	N/A		\$124		N/A	
Backrest Mesh	M	Monofilament	-		-		-	
	C	Silver Check	-		-		-	
	N	Pinstripe	-		-		-	
	A	Dash	-		-		-	
	J	Catena	-		-		-	
Mesh Color		See page 41 for mesh color options and codes						
Seat Textile		Textile Grade 1 (FT,K,CF)	\$33		\$33		\$33	
		Textile Grade 2 (F)	\$74		\$74		\$74	
		Leather Grade 1 (TL)	\$607		\$607		N/A	
		Leather Grade 3 (CL)	\$1,222		\$1,222		N/A	
Textile Color		See pages 39-41 and textile samples for color options and codes						
Fire Proofing	-	Standard Plastics & Foams	-		-		-	
Shipping	-	Individually Boxed	-		-		-	
	B	Blanket Wrapped- <i>See Terms and Conditions for minimum order requirements</i>	-		-		-	

Replacement Parts

COMPONENT	CODE	TEXTILE GRADE 1	TEXTILE GRADE 2	LEATHER GRADE 1	LEATHER GRADE 3
SEAT CUSHION	OCC121222	\$229	\$271	\$691	\$1,372

MESH BACK	CODE	PRICE
Liberty Back	OCC1B3422	\$260
Smart Back	OCC2B3422	\$260
World Back	OCC3B3422	\$260

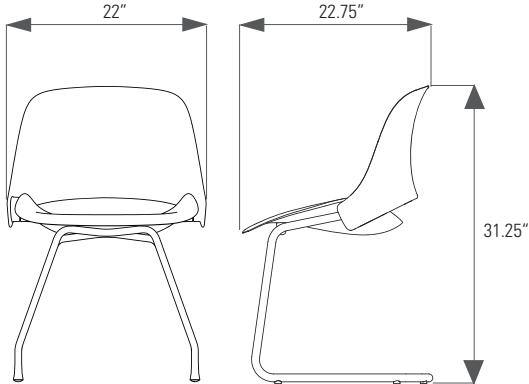
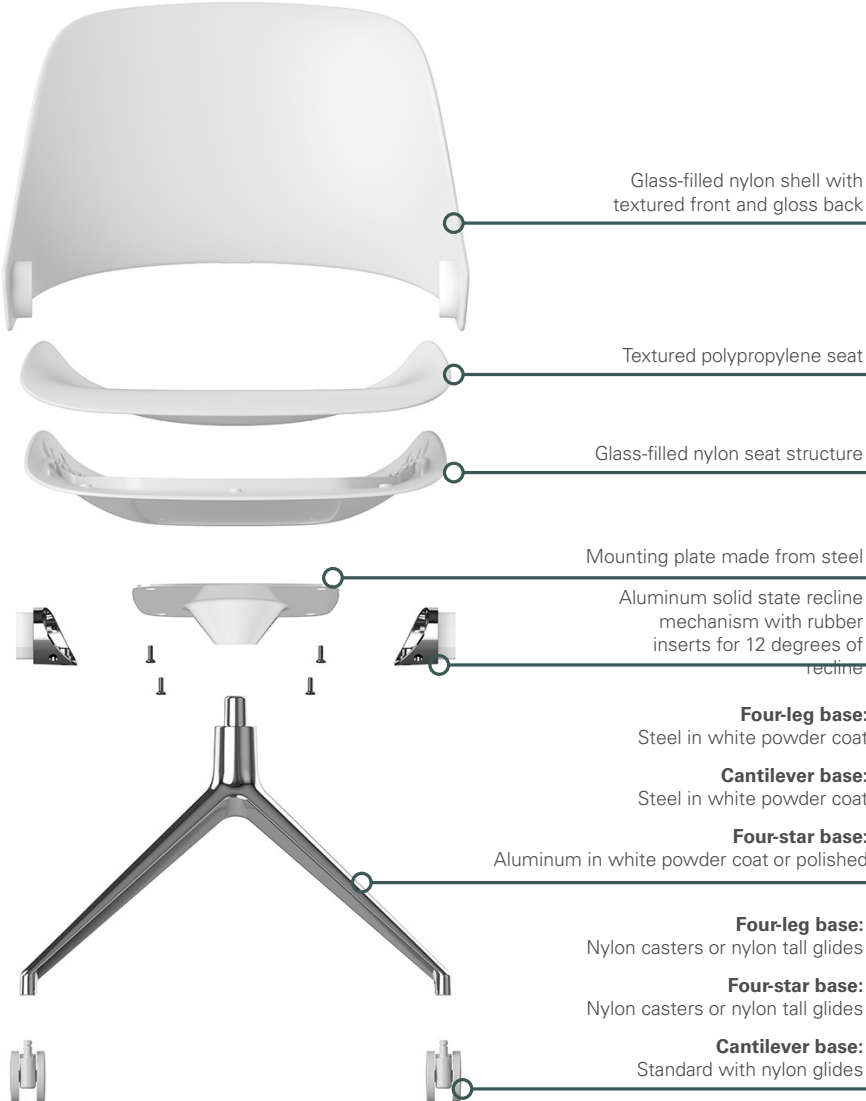
**Leather only available on Smart and Liberty back versions*



TREA

Created in collaboration with visionary designer Todd Bracher, Humanscale's Trea chair features a sophisticated design that embodies versatility. Engineered with an innovative solid state recline mechanism, Trea offers intuitive comfort, while its fresh yet classic aesthetic provides stylish support in office and home interiors. Available with a variety of base, finish and upholstery options, Trea can be customized for use in a variety of spaces.

TREA Features & Specifications



WEIGHTS
• 20 lbs. (Four-leg)
• 21.75 lbs. (Cantilever)
• 20.5 lbs. (Four-star)

TREA Build Your Product Code

COMPONENT	CODE		LIST PRICE	
LINE	T	Trea	-	
STYLE	10	Four Legs	\$877	
	20	Cantilever	\$1,019	
	30	Four Star	\$1,352	
FRAME FINISH	W	White powder coat- <i>Available with all base styles.</i>	-	
	P	Polished Aluminum- <i>Only available with Four Star Bases</i>	\$212	
BACKREST SHELL COLOR	W	White	-	
SEAT SHELL COLOR	W	White- <i>Only available with White Backrest Shell</i>	-	
SEAT PAD TEXTILE	-	No Seat Pad Selected	-	
		Textile Grade 1 (FT,CF)	\$176	
		Textile Grade 2 (F)	\$249	
		Leather Grade 1 (TL)	\$763	
		Leather Grade 3 (CL)	\$1,431	
SEAT PAD TEXTILE COLOR	---	No Seat Pad Selected	-	
		See pages 39-41 and textile samples for mesh color options and codes	-	
CASTERS	G	Glides- <i>Only available w/ Four Legs & Cantilever.</i>	-	
	C	Hard Casters	\$53	
	S	Soft Casters	\$62	
	K	Hard Breaking Casters	\$71	<i>Only available with Four Legs & Four Star</i>
	O	Soft Breaking Casters	\$79	
FIREPROOFING	-	None- Standard Plastics & Foams	-	

Replacement Parts

COMPONENT	CODE	TEXTILE GRADE 1	TEXTILE GRADE 2	LEATHER GRADE 1	LEATHER GRADE 3
SEAT CUSHION	TS1222	\$194	\$264	\$764	\$1,440





BALLO

A fun sitting solution, Ballo is a multipurpose stool that is ideal for a wide range of environments.

Designed by Don Chadwick, it reinvents the exercise ball, with a design that is appropriate for workplace settings while offering easier storage. Promoting short-term, active sitting, Ballo also encourages low intensity physical activity and helps to reduce sedentary behavior.

BALLO Features & Specifications



AIR-FILLED TOP AND BOTTOM DOMES

- The top and bottom non-slip, dimpled air domes are made from a thermoplastic vulcanizate (TPV) material, rather than PVC that is the industry standard and can off-gas.

LIGHTWEIGHT

- Lightweight at just 13.5 pounds and with cleverly designed hand holds, Ballo can be easily moved from space to space.

HANDLE HOLDS

- Ballo comes with handle holds for easy portability.

CENTRAL COLUMN

- Ballo's cone and spool column made out of polypropylene

BODY FIT

- Air-filled, non-slip dimpled domes shape to the body and provide a comfortable sitting experience.

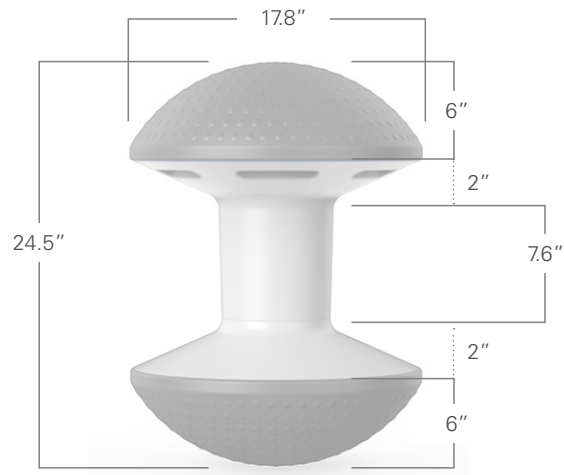
SAFE AND COMPACT

- Counterweighted base ensures Ballo remains upright for stable movement and convenient storage.

DURABLE AND ECO-FRIENDLY

- Ballo is made from eco-friendly, easy-clean and durable TPV materials which can be configured in various hues to add color to any space.
- Innovative spool-shaped central column is made from strong, long-lasting polypropylene and designed with clean lines to offer a modern aesthetic.

WEIGHT
• 13.5 lbs.
<i>NOTE: ALL DIMENSIONS MEASURED AT .35 PSI ON EACH DOME</i>



BALLO Build Your Product Code

COMPONENT	CODE	BASE MODEL PRICE	LIST	
LINE	B	Ballo	\$633	
STYLE	10	Standard	-	
DOME COLOR	B	Black	-	
	R	Red	-	
	G	Gray	-	
	E	Green	-	
	S	Sky Blue	-	
BODY COLOR	W	White	-	
FIREPROOFING	-	None	-	
SHIPPING	-	Individually Boxed	-	

REPLACEMENT PARTS	CODE	PRICE
Ballo Accessories		
Ballo Pump	BALLO_PUMP	\$22
Ballo Needle	BALLO_NEEDLE	\$2

----- A needle is included with each Ballo Pump





CINTO

Appropriate for a wide range of commercial and residential environments, Cinto sets a new standard for ergonomic stackable seating through unique design and manufacturing innovations. Spanish for “belt,” Cinto features a floating backrest that is attached to the chair’s frame via a flexible belt, allowing it to move with the body to provide recline and automatic lumbar support. For cool seated comfort, air vents on the backrest and seat pan enable air circulation.

CINTO Features & Specifications



BACKREST HANDLE

- Provides easy transport

FLEXIBLE BACKREST

- Attached to the chair's frame via a flexible belt, the floating backrest bends and adjusts with the sitter
- Flexibility of backrest creates virtual pivot point for automatic lumbar support
- No adjustments required

ARMREST OPTIONS

- Armless
- Fixed arms

VENTED SEAT PAN AND BACKREST

- Promotes air circulation and prevents "hot spots"

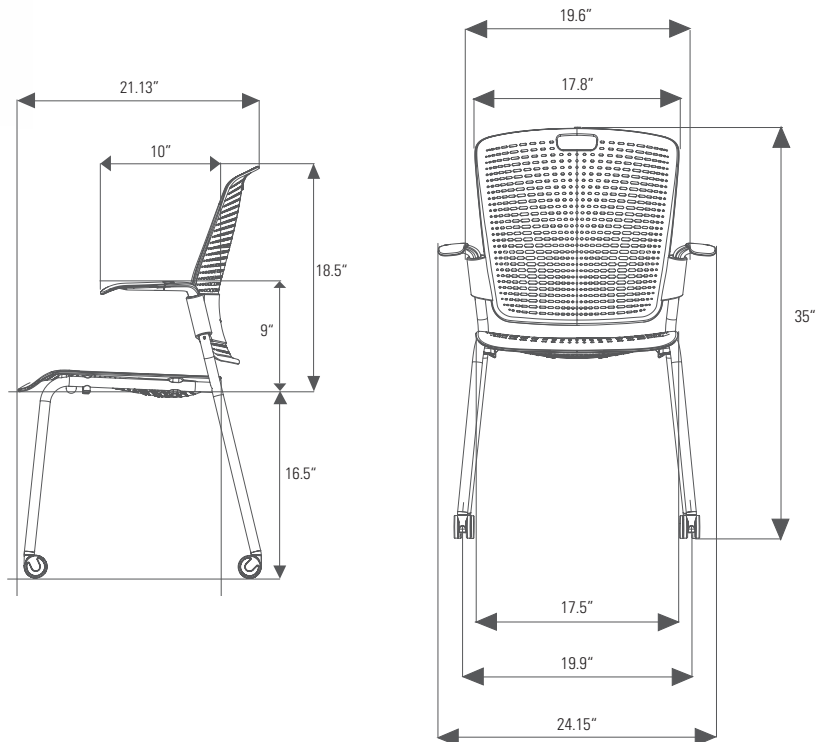
STACKABILITY

- Freestanding Cintos stack six chairs high
- Up to 15 chairs can be stacked on the optional Cinto Dolly

BASE OPTIONS

- Four legs on glides
- Four legs on casters

WEIGHT
<ul style="list-style-type: none"> • 9 lbs. Armless chair • 10 lbs. Fixed-Arm chair
CINTO DOLLY EMPTY
<ul style="list-style-type: none"> • Height 44" • Depth 41" • Width 26"
CINTO DOLLY FULLY STACKED WITH 15 CHAIRS
<ul style="list-style-type: none"> • Height 67" • Depth 41" • Width 26"
WEIGHT CAPACITY
<ul style="list-style-type: none"> • 300 lbs



CINTO Build Your Product Code

COMPONENT	CODE	BASE MODEL PRICE	LIST	
LINE	C	Cinto	\$366	
STYLE	1	Four Legs, Glides	-	
	2	Four Legs, Casters	\$50	
ARMRESTS	0	Armless	-	
	5	Fixed Arms	\$87	
FRAME COLOR	S	Silver	-	
	B	Black	-	
BACKREST, SEAT PAN COLOR	01	White - <i>Not available with CAL 133 Approval</i>	-	
	10	Black	-	
	15	Gray	-	
	17	Taupe	-	
	18	Light Gray - <i>Not available with CAL 133 Approval</i>	-	
	33	Yellow	-	
	41	Green - <i>Not available with CAL 133 Approval</i>	-	
	52	Light Blue - <i>Not available with CAL 133 Approval</i>	-	
	53	Blue	-	
OPTIONAL SEAT PAD	—	No seat pad	-	
	FT10	Fourtis Black	\$68	
	FT12	Fourtis Granite	\$68	
	FT56	Fourtis Nimbus	\$68	
	FT68	Fourtis Hyacinth	\$68	
FIREPROOFING	—	Standard Plastics	-	
	C	CAL 133-Approved	\$34	

PARTS & ACCESSORIES	Code	CAL133 Available	Price
---------------------	------	------------------	-------

Replacement Parts			
Seat Pan	CRS11		\$80
Seat Pan, CAL 133-Approved	CRS11	C	\$95
Seat Pad*	CRP4555		\$68
Casters (Black, Set of 4)	CRCAST		\$49
Glides (Set of 4)	CRGLIDE2		\$18
Arm Sleeves (Pair)	CRA3		\$41
Retrofit Armrest Kit (Pair)	CKA23		\$120

Accessories			
Cinto Dolly	CINTODLY		\$369

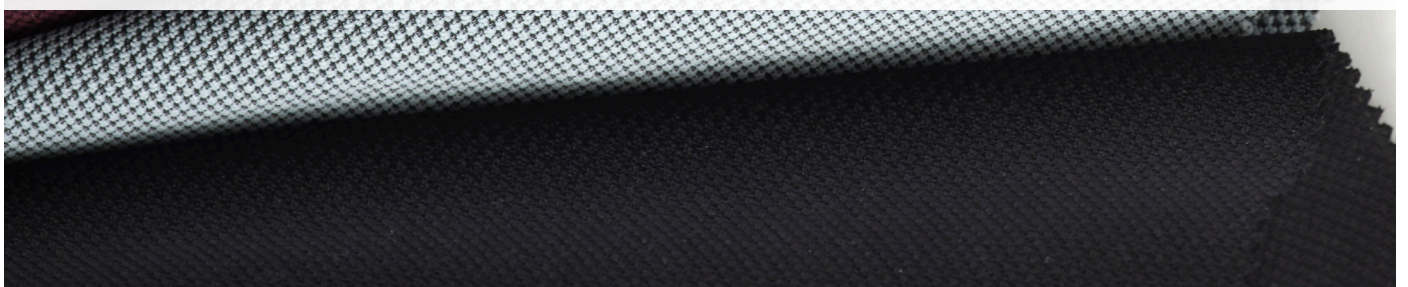
Any code containing a number refers to the component or textile that must be selected to order the replacement or retrofit part.
 1- Backrest, Seatpan Color; 2- Frame Color (S-Silver, B-Black); 3- Trim Color (G-Gray, B-Black); 4 Textile Code (pages 41-42) 5 – Textile Color (pages 41-42)

*Seat Pad not available with CAL133



Textiles

The cushions on all Humanscale chairs utilize advanced technology developed primarily for the sportswear and sporting goods industries. In a single step, a high-tech molding process combines the textile, foam or Technogel®, and plastic support shell into a single, modular unit which can be attached to our seating with four screws. Because of this advanced process, the textiles used on the cushions are as unique as the rest of the chair, and satisfy requirements more demanding than typical upholstery textiles.



TEXTILES

*Living Product Challenge Approved



LOTUS* Standard Pricing		Code	Color
Textile Code: K	Textile Grade: 1	101	Black
Water repellent and easy to clean, Lotus is an ideal textile for the healthcare and hospitality environments. Its polyurethane finish with nylon backing boasts a soft texture that is pleasant to the touch while offering exceptional durability.		128	White
		158	Shale
		182	Hematite
		2C4	Umber
		281	Walnut
		302	Ochre
		459	Verdant
		507	Navy
		603	Plum
		608	Crocus
		624	Eggplant
		757	Earth Red
		758	Lucky Red

FOURTIS* standard Pricing		Code	Color
Textile Code: FT	Textile Grade: 1	10	Black
Fourtis is a four-way stretch fabric that easily conforms to our cushions for the ultimate in comfort and flexibility. While still adjustable, its satin crepe weave structure is highly durable and creates a strong, high-performance fabric.		12	Granite
		16	Ash
		44	Alaria
		49	Clover
		56	Nimbus
		57	Navy
		63	Boysenberry
		68	Hyacinth
		78	Winterberry

FormSense Eco Knit*		Code	Color
Textile Code: KT		10	Soft Black
Exclusively created for our Path chair, Revital is our FormSense Eco Knit™ that is made of 100% post-consumer recycled polyester. Derived from upcycled plastic bottles, this textile utilizes 3D knit technology that individually controls each stitch, creating intricate and systematic patterns with targeted zones of tension. This allows the material to fit the contours of the body, providing self-adjusting lumbar support that is tailored to fit every user.		11	Graphite
		12	Storm
		13	Vapor
		40	Peacock
		41	Moss
		42	Evergreen
		50	Midnight
		71	Wine
		73	Terracotta

GINKGO Additional CHARGE		Code	Color
Textile Code: F	Textile Grade: 2	101	Black
Composed of 90% Wool, Ginkgo offers a pleasing texture and durability. Its subtle and elegant pattern makes this textile appropriate for a variety of environments. Ginkgo comes in vibrant and saturated colors, expanding the scope of Human-scale's upholstery line.		197	Charcoal
		281	Walnut
		315	Wheat
		463	Green
		507	Navy
		556	Storm
		568	Horizon
		816	Harvest Orange

CORDE 4* standard Pricing		Code	Color
Textile Code: CF	Textile Grade: 1	10	Black
Corde 4 is a four-way stretch design which moves with the sitter as they adjust positions in their chair, providing ultimate comfort. Its intricate weave structure, dimensional surface and wide array of neutral and vibrant shades are visually appealing and engaging to the touch.		12	Graphite
		21	Dark Brown
		22	Driftwood
		43	Balsam
		45	Peacock
		52	Thalo
		56	Medium Gray
		57	Navy
		58	Azure
		62	Deep Violet
		78	Parma Red
		86	Pumpkin



LEATHERS

NOTE: Only matching stitch or contrast stitch options may be selected with each leather color

Ticino	Additional CHARGE	Code	Color	Matching Stitch Code	Contrast Stitch Code
Textile Code: TL Leather Grade: 1 Ticino is a semi-aniline dyed leather available in a variety of rich colors inspired by nature. It is a top, corrected grain leather to create a more natural aesthetic and ensure the leather remains as unique as the hide itself.		10	Obsidian	N	B, R, V
		11	Pebble	Y	–
		12	Charcoal	M	Y
		13	Glacier	W	–
		21	Umber	A	–
		22	Canyon	C	–
		31	Sand	V	–

Corvara	Additional CHARGE	Code	Color	Matching Stitch Code	Contrast Stitch Code
Textile Code: CL Leather Grade: 3 Corvara is a semi-aniline dyed leather that offers a smooth, silky feel and ultimate durability. It is a top, full grain leather that is embossed lightly for a consistent, uniform grain structure.		10	Onyx	N	B, R, V
		11	Mineral	V	–
		21	Java	A	–
		23	Saddle	T	–
		57	Midnight	N	Y
		71	Jasper	H	–

Maribo	Additional CHARGE	Code	Color	Matching Stitch Code
Textile Code: ML Leather Grade: 1 Maribo, a soft and pliable semi-aniline leather, created to provide unbeatable comfort and durability while keeping an elegant quality to the leather.		ML10	Carbon	N
		ML21	Espresso	V
		ML22	Teak	A
		ML12	Slate	T
		ML11	Stone	N
		ML31	Bone	H
		ML13	Frost	W
		ML23	Terra	T

Leather Stitching Options	Code	Color
Choose a stitch color to match or contrast your choice of leather.	V	Vanilla
	M	Midnight
Additional CHARGE	N	Noir
	C	Coffee
	Y	Light Grey
	W	White
	T	Tan
	A	Cocoa
	H	Cherry
	B	Blue
	R	Red



MESH

All Mesh Options are Living Product Challenge Approved 

MONOFILAMENT STRIPE	Code	Color
Mesh Code: M	10	Black
Using only monofilament yarns that are thin and strong, a simple but classic stripe pattern is achieved through weave structure and yarn placement. This pattern has slight elasticity but terrific memory.	11	Carbon
	14	Platinum
	41	Green
	51	Atlantic
	81	Amber

SILVER CHECK	Code	Color
Mesh Code: C	12	Alloy
This unique translucent pattern is achieved using monofilament and a silver-plated yarn spun with polyester at its core. More than simply an aesthetic choice, the silver-plated yarn gives the textile flexibility and strength.	32	Topaz

PINSTRIPLE	Code	Color
Mesh Code: N	01	White
Designed specifically to work with the Diffrient World Chair, this lightweight fabric provides the strength and support of a much heavier mesh by using two different monofilament stretch yarns to provide proper support.	02	Silver
	03	Graphite
	10	Black
	34	Cadmium Yellow
	43	Citron
	58	Cyan
	74	Crimson

TEXTILE PURCHASE PROGRAM

All Humanscale textiles (with the exception of Leather) are available for purchase by the linear yard. The prices below are net (standard discounts do not apply). A \$20 cut charge will apply to each order. Please see your Humanscale representative for more information.

Monofilament Stripe	\$90/yd (50" width)
Silver Check	\$105/yd (53" width)
Lotus	\$54/yd (54" width)
Ginkgo	\$113/yd (51" width)
Dash	\$113/yd (48" width)
Pinstripe	\$98/yd (48" width)
Catena	\$90/yd (52" width)
Corde 4	\$65/yd (50" width)
Fourtis	\$60/yd (50" width)

CATENA	Code	Color
Mesh Code: J	10	Black
Catena's dense and rich hues are inspired by the vibrant spice markets of India. When used as a backrest textile, this proprietary non-stretch mesh provides a customized lumbar support through its tri-panel patented design that fits the user like a tailored shirt.	35	Bayberry
	50	Cornflower
	1A	Poppy Seed
	1B	Caraway

DASH	Code	Color
Mesh Code: A	14	Platinum
Designed to resemble embroidery floss, Dash is stronger, more responsive, lighter weight and uses less material than most mesh textiles. It gives the user support, comfort and ease of movement, while meeting Humanscale's seating requirements.	19	Zinc

CUSTOM COLORS

Textiles:
Most Humanscale textiles are available in any customer-specified color. Delivery time frames for custom color orders will depend on color approval. A surcharge of \$50 per chair will apply to custom color orders. The minimum order quantity for these fabrics are as follows:

Lotus, Ginkgo:	
Freedom Task + Headrest	200 chairs
Liberty Task	400 chairs
Diffrient Smart	400 chairs
Freedom Saddle	400 chairs
Freedom Pony Saddle	600 chairs

