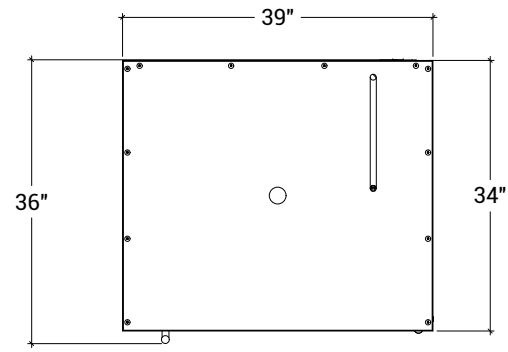


| | | | | | |
|---------------------------------------|---|-----------------------------|-------------|---------------------|----------------|
| QUOTE / SALES ORDER Q151235 | PRODUCT LINE TABLES | REV. RELEASED FOR QUOTE | DESCRIPTION | DATE 1/16/23 | DRAWN BY AC |
| DRAWING NO. Q151235-A | | A | | | |
| | | B | | | |
| | | C | | | |
| CAD FILE Q151235.dwg | UNITS INCHES | D | | | |
| | | E | | | |
| | | F | | | |
| DRAWN BY A CORDOVA | REVIEWED BY C.S. ORDER ENTRY - PRINT NAME | FOR QUOTING PURPOSES | | NOT TO SCALE | |

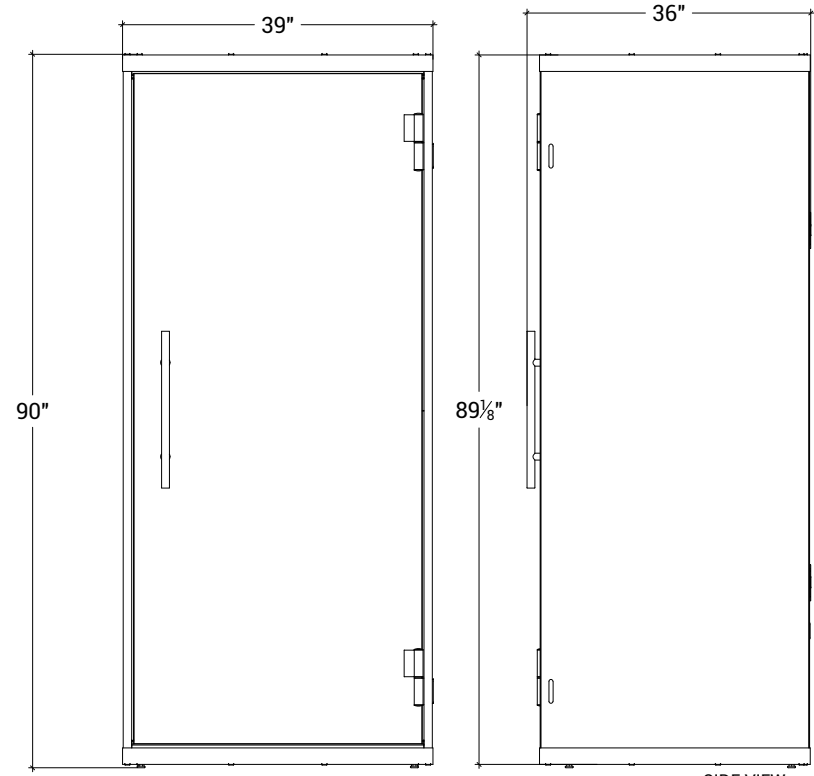


CONCEPT DRAWING ONLY. DO NOT RELEASE FOR PRODUCTION

NOTES
TALKZONE



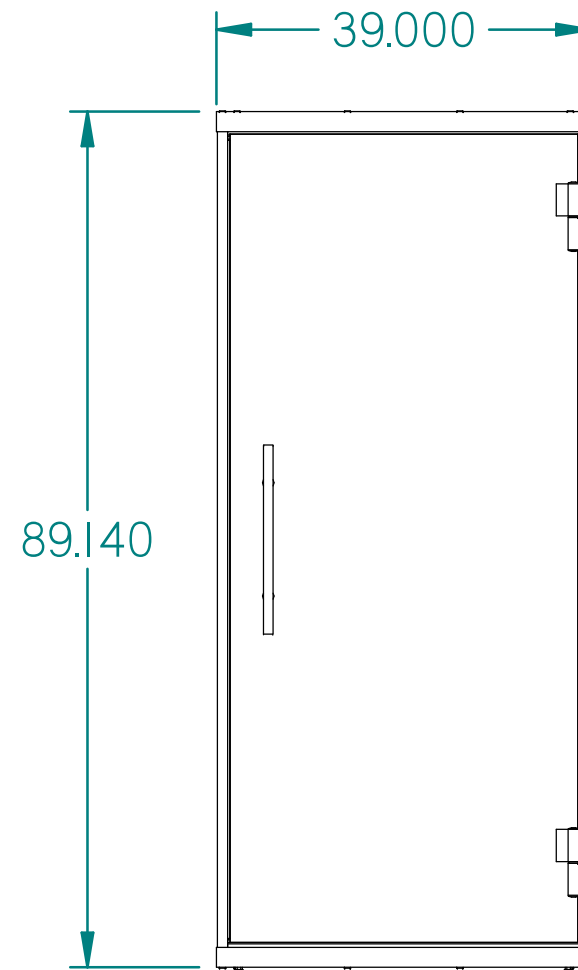
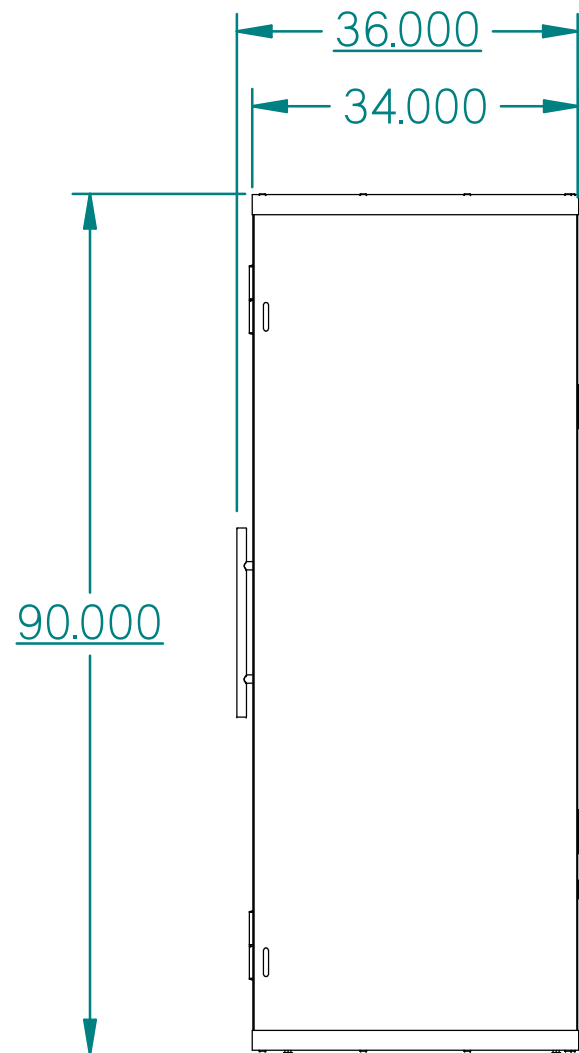
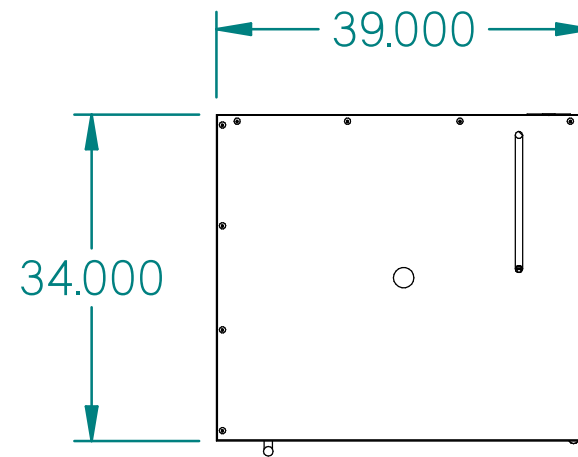
ELECTRICAL CUTOUT



FRONT VIEW

SIDE VIEW

| | | | | |
|---|-------------|------------------------------|------------------|--|
| Q151235-A | | DWG STATUS | MATERIAL | UNITS & TOLERANCE |
| PRODUCT LINE: --- | | --- | | Unless otherwise noted: Units are inches Dims <= 5": +/- 0.03" Dims > 5": +/- 0.0625" |
| ITEM DESCRIPTION: --- | | | | |
| SPEC FURNITURE Inc. claims proprietary right to the material disclosed hereon. This drawing and/or technical information is the property of SPEC FURNITURE Inc. and is issued in confidence for the use only as authorized, and may not be reproduced or described or shown to others without written permission from SPEC FURNITURE Inc. | | | | |
| REV. | DATE | DESCRIPTION OF CHANGE | ECN/NPD # | CHANGE BY |
| A | 01/16/23 | RELEASED FOR QUOTE | -- | AC |
| | | | | |
| | | | | |



NOT TO SCALE