



## **MTC 1: Product Information Worksheet**

**Category:** 6 – Collaborative Products

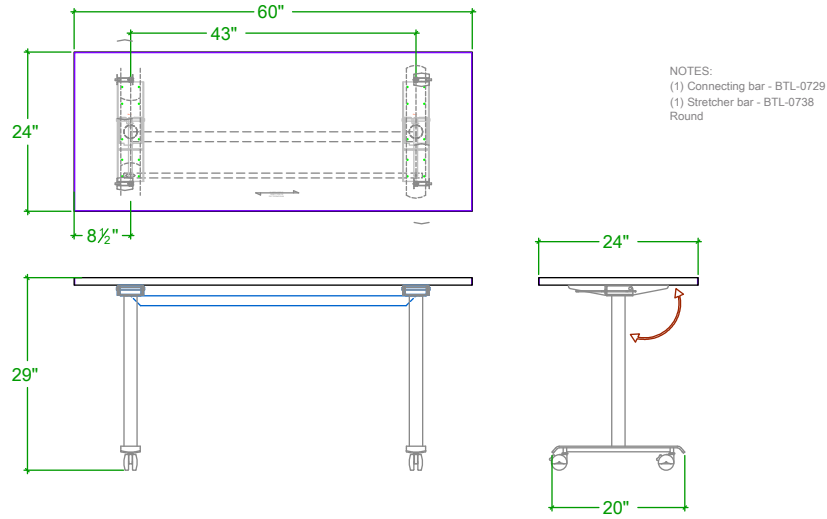
**Subcategory:** 6D-8, Typical 6D8-1

- a) **Series:** Manhattan
- b) **Component Part Number / Ordering Code:** MNTFTC
- c) **Component Finishes:** Various. See attached.
- d) **Component Height:** 29"
- e) **Component Width:** 60"
- f) **Component Length:** 24"

PRODUCT LINE	QUOTE / SALES ORDER Q151237			Name D Hughes	Date 02/17/23
DRAWING NO.		A	RELEASED FOR QUOTE		
		B			
DATE 02/17/23	DRAWN BY	C			
	PAGE	D			
FOR QUOTING PURPOSES		E			
		#			



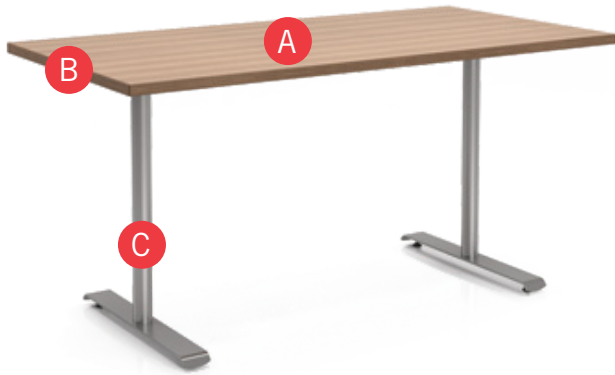
Part Number: MNTFTC



# MANHATTAN TABLES

BACK TO CONTENTS

## HOW TO ORDER



### Specify Top Size (Width x Length) and Shape

- A** Specify Top Type and Finish  
*For Laminate Top: Manufacturer, Laminate Name, Laminate Code*  
*For Veneer Top: Wood Species & Stain*
- B** Specify Edge Type, (for hardwood: Style), and Finish  
*PVF/2mm/Self Edge/Exposed Baltic Birch Plywood/Hardwood*
- C** Specify Base Style and Finish  
 Optional: Flip Top, Fold, Bar Height, Hard Casters, Soft Casters, Grommets, Seam Connectors, Modesty Panels, Adjustable Height, Power and Data Modules, Wire Management Solutions, Custom Solutions

Restrictions may apply. See price list tables below for more information.

Top Size and Shape	Top Type and Finish	Edge Type and Finish	Base Style and Finish
36 x 96, Rectangle	Laminate, Arborite, Brown Sugar	Hardwood, HF, Custom Brown Sugar Stain	MNT, Silver

## EDGE PROFILES

