



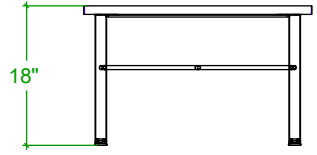
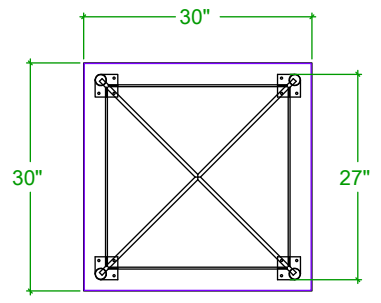
Subcategory: 6D-1, Typical 6D1-2

- a) **Series:** Dani
- b) **Component Part Number / Ordering Code:** DANI18
- c) **Component Finishes:** Various. See attached.
- d) **Component Height:** 18"
- e) **Component Width:** 30"
- f) **Component Length:** 30"

PRODUCT LINE	QUOTE / SALES ORDER Q151237			Name D Hughes	Date 03/02/23
DRAWING NO.		A	RELEASED FOR QUOTE		
		B			
DATE 03/02/23	DRAWN BY	C			
	PAGE	D			
FOR QUOTING PURPOSES		E			
		#			



Part Number: DANI18



DANI TABLES



PRODUCT CODE

2448 RE DANI O

Top Size

Width x Length

Top Shape

D : Round
SQ : Square
RE : Rectangle

Series

Dani

Base

N/A : Round Post Leg
O : Oval Post Leg
OM : O with Magazine Shelf

OPTIONS

ROUND LEG



OVAL LEG

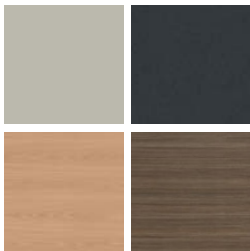


MAGAZINE SHELF



FINISHES

LAMINATE



Select from 15 standard laminates or choose any standard Wilsonart, Nevamar, Formica, Arborite and Pionite matte finish laminates for no extra charge

VENEER



Select from one of our 9 standard wood stains or stain-to-match for no extra charge

BASE



Select from one of our 76 standard Spectone colors

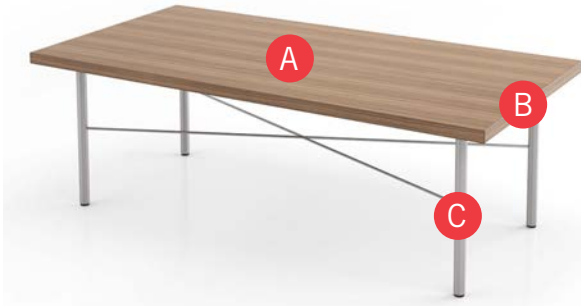
EDGE



See Spectone Card or specfurniture.com/tools-and-resources/product-resources/finishes for a complete list of finish options and colors.

DANI TABLES

HOW TO ORDER



Specify Top Size (Width x Length) and Shape

- A** Specify Top Type and Finish
For Laminate Top: Manufacturer, Laminate Name, Laminate Code
For Veneer Top: Wood Species & Stain
- B** Specify Edge Type, (for hardwood: Style), and Finish
PVF/2mm/Self Edge/Exposed Baltic Birch Plywood/Hardwood
- C** Specify Base Style and Finish

Optional: Power and Data Modules, Custom Solutions

Top Size and Shape	Top Type and Finish	Edge Type, Style and Finish	Base Style and Finish
2448, Rectangle	Laminate, Arborite, Brown Sugar	Hardwood, HF, Custom Brown Sugar Stain	DANI18, Silver



EDGE PROFILES

